

Maintenance & Servicing Information

For associated literature see KF088 & KF089 which can be found online at www.knottuk.com

Guide Bearing Replacement

PRECAUTIONS

The correct assembly and adjustment of all equipment is critical to the safe operation of the trailer. Therefore the procedures must only be carried out by competent persons. If you have any doubts about your ability to complete the procedure, we recommend this task is performed by your local service centre. You are advised to wear suitable protective equipment such as safety glasses, gloves and face mask. In addition be aware of hazards associated with handling workshop materials such as chemicals, oils and greases which maybe flammable and can prove to be irritants.

It is recommended that the opportunity is taken to inspect associated items for wear or damage and replace if necessary, they can be obtained through your local stockist.

All procedures should be carried out with the trailer on level ground with either the parking brake applied or wheel chocks front and rear. In addition the drawbar should be supported with the trailer horizontal. Where required consult your trailer handbook for the recommended jacking points and positions for stands.

The components are used in a wide variety of trailers and reference to the trailer manufacturer's manual must always be made for procedures and data relevant to the particular unit.

We have used "Plain English" descriptions throughout this text. If you are unsure of the meaning, if the procedure is unclear or you require any further information please use the following contact details:-

Europa House, Second Avenue
Centrum 100
Burton Upon Trent
Staffordshire
DE14 2WF
T : +44 (0) 1283 531541

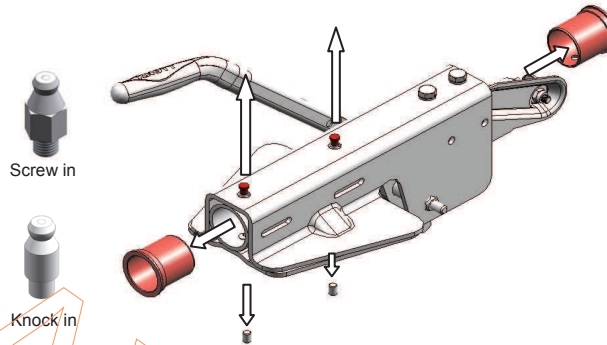
Spelter Site
Caerau
Maesteg
Mid Glamorgan
CF34 0AQ
T : +44 (0) 1656 739111

✉ sales@knottuk.com

🌐 www.knottuk.com

Guide Bearings Pre-2009 secured with nylon plugs

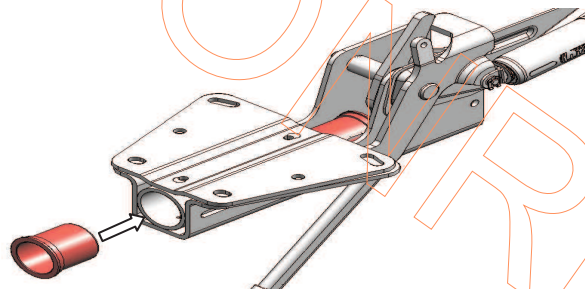
1. Remove the grease nipples from the housing. For knocked in grease nipples, pull out carefully with pliers. Remove the nylon safety pin and pull the old guide bearings from the housing.



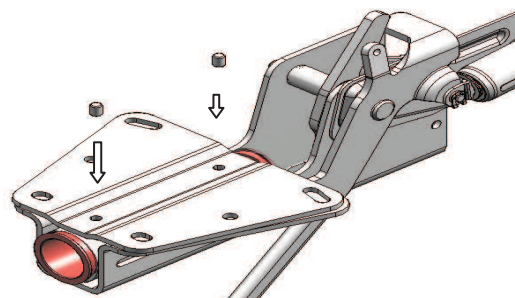
2. Press the guide bearings into the housing up to the stop.

Note: Never knock in the guide bearings as they can be damaged.

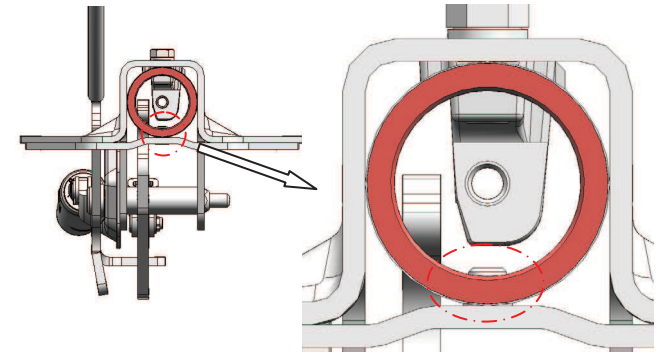
STOP Guide bearings must only be changed like for like. Post 2009 clip in types are not compatible with pre 2009 couplings.



3. Drill holes for the nylon locking pins through the guide bearings $\varnothing 9.9 - 0.1$ and then knock in the locking pins.

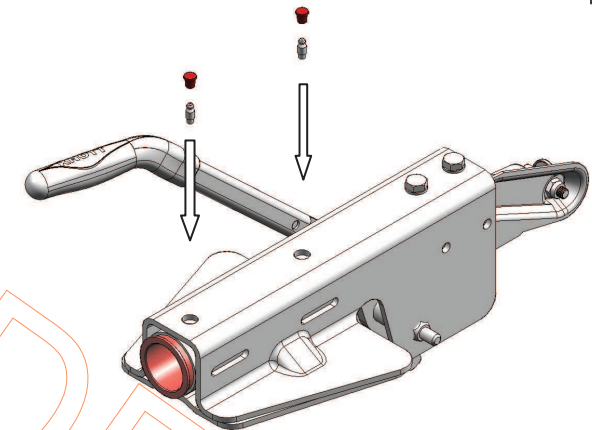


4. Carefully remove any protruding material from the nylon locking pins.



5. **With knock in type grease nipples:** Drill holes through the guide bearings $\varnothing 5.9 - 0.1$. Then knock the nipples back in.

With screw in type grease nipples: Drill holes through the guide bearings $\varnothing 5.0 - 0.2$. Then screw the nipples back in.



6. Lubricate the drawtube lightly and re-fit into the housing. Lubricate sufficiently through the grease nipples with commercial lubricating grease (e.g. lithium soap grease).

Please note – if the drawtube does not slide freely, the bushes may require machining to a larger diameter using suitable tooling. This procedure should only be carried out by competent persons. If you have any doubts about your ability to complete the procedure, we recommend this task is performed by your local service centre.

If in doubt, ask

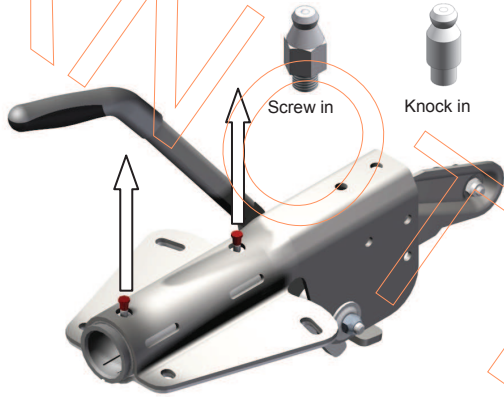
Use only Knott original replacement parts



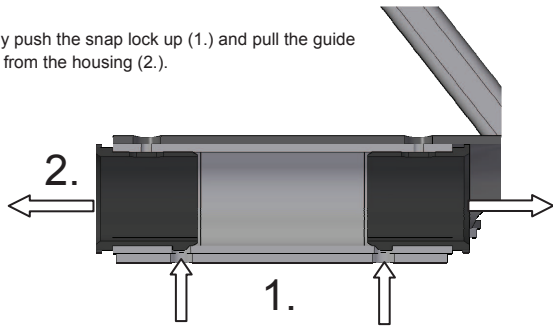
www.knott-trailer-shop.com

Clip-in Guide Bearings 2009 Onwards

1. Remove the grease nipples from the housing. For knocked in grease nipples, pull out carefully with pliers.



2. Carefully push the snap lock up (1.) and pull the guide bearing from the housing (2.).



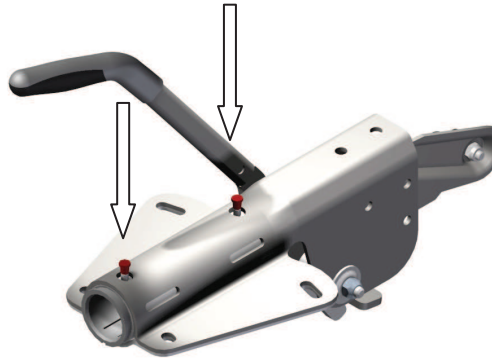
3. Insert the new guide bearing, making sure that the "lugs" engage completely in position. Rotate the guide bearing if required to achieve correct engagement.

Note: Never knock in the guide bearings as they can be damaged.



Guide bearings must only be changed like for like. Pre 2009 type with nylon plugs are not compatible with post 2009 couplings.

4. Re-fit the grease nipples, screw or knock in to position.



5. Lubricate the drawtube lightly and re-fit into the housing. Lubricate sufficiently through the grease nipples with commercial lubricating grease (e.g. lithium soap grease).

NOTES:

VONRIDE LTD