

GO TO

HEADS  
& EYES

SPARES  
KFG13 - KFG35

SPARES  
KF7 – KFGL35

SPARES  
KRV7,5 – KRV35

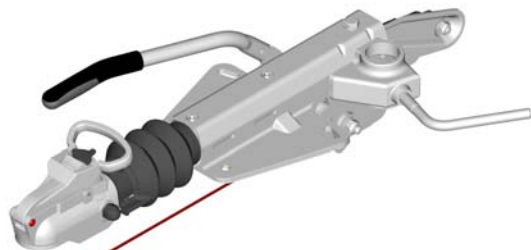
COUPLING  
COMPONENTS

TECHNOLOGY · PRODUCTS · SERVICE...  
...THE COMPLETE PACKAGE!

**KNOTT-AVONRIDE**  
LIMITED

**COUPLING ASSEMBLIES**

**PRESSED STEEL DELTA COUPLING**



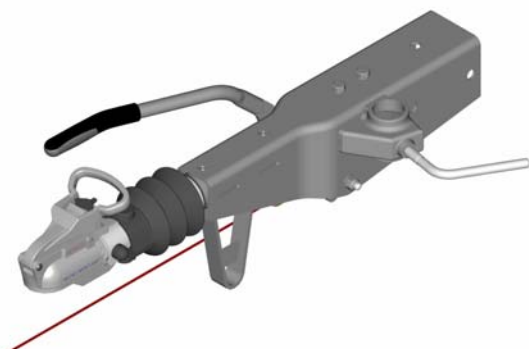
Type	Capacity (kg)	Part Number*	Centres (mm)
KF7,5	375 - 750	KPB7AOD	110/120
KF13	750 - 1300	KPB13AOD	110/120
KF17	1100 - 1700	KPB17AOD	110/120
KF20	1100 - 2000	KPB20AOD	110/120
KF27	1400 - 2700	KPB27AO110/120D	110/120
KFGL35	2700 - 3500	204509.002	120/140

**CAST DELTA COUPLING**



Type	Capacity (kg)	Part Number*	Centres (mm)
KFG13	750 - 1300	KCB13AOD	100
KFG13	750 - 1300	KCB13AO120D	120
KFG20	1100 - 2000	KCB20AOD	100
KFG20	1100 - 2000	KCB20AO120D	120
KFG27	1400 - 2700	KCB27AOD	100
KFG27	1400 - 2700	KCB27AO120D	120
KFG30	1600 - 3000	KCB30AOD	100
KFG30	1600 - 3000	KCB30AO120D	120
KFG35	2700 - 3500	KCB35AOD	120

**PRESSED STEEL SQUARE TUBE COUPLING**



Type	Capacity (kg)	Part Number*	Size
KRV7,5	375 - 750	KSB7AO6D	□ 60
KRV7,5	375 - 750	KSB7AO7D	□ 70
KRV13	750 - 1300	KSB13AO6D	□ 60
KRV13	750 - 1300	KSB13AO7D	□ 70
KRV17	1100 - 1700	KSB17AO7D	□ 70
KRV20	1100 - 2000	KSB20AO8D	□ 80
KRV20	1100 - 2000	KSB20AO10D	□ 100
KRV30	1600 - 3000	KSB30AO8D	□ 80
KRV30	1600 - 3000	KSB30AO10D	□ 100
KRV35	2700 - 3500	203995.001	□ 120

\* Fitted Avonride Cast Locking Head

In addition all of these couplings can be supplied and fitted with:-

Knott 50mm Pressed Steel Head (to 2T)
Knott 50mm Head (Cast Lockable to 3,5T)
Albe Berndes 50mm Head (Cast to 3,5T)
30mm UK BS EYE
40mm UK BS EYE
50.8mm UK BS EYE
76mm NATO EYE

And to special order for export trailers, Ø68 French & Ø40 DIN eyes

All products are EU/UNECE Approved

TECHNOLOGY · PRODUCTS · SERVICE...  
...THE COMPLETE PACKAGE!**KNOTT-AVONRIDE**  
LIMITED**COUPLING HEADS & EYES**

Type	Fitting	Part Number	Applications
	Ø 45, M12/M12	575003	KF7,5 - 20, KFG13 - 20 & KRV7 - 20
	Ø 50, M12/M12	575003	KF27 & KFG27
	Ø 50, M12/M14	575005	KFG30 & KRV30
	Ø 50, M14/M14	575008	KFG27 - 30 & KRV30
	Ø 60, M14/M14	575004	KFG35, KFGL35 & KRV35
	<input type="checkbox"/> 50 2xM12 Vertical	KQ7KVL	750kg Unbraked
	<input type="checkbox"/> 60 2xM12 Vertical	KQ7LVL	750kg Unbraked
	<input type="checkbox"/> 50 4xM12 Vert/Horiz	KQ14AVN2L	1400kg Unbraked
	<input type="checkbox"/> 60 4 x M12 Vert/Horiz	KQ14BHN2L	1400kg Unbraked
	Ø 45 2xM12 Cross Holes	575001	KF7,5 - 13, KRV7 - 13 & KFG13
Ø 45 2xM12 Cross Holes	575002	KF13 - 20, KRV20 & KFG20	
	Ø 50, M12/M12	510225	KF27 & KFG27
	Ø 50, M14/M14	510192	KFG27 - 30 & KRV30
	Ø 60, M14/M14	510226	KFG35, KFGL35 & KRV35
	Ø 45, M12/M12	575030.001	KF7,5 - 20, KFG13 - 20 & KRV7 - 20
	Ø 50, M12/M12	575030.004	KF27 & KFG27
	Ø 50, M12/M14	575030.002	KFG30 & KRV30
	Ø 50, M14/M14	575030.005	KFG27 - 30, KF27 & KRV30
	Ø 60, M14/M14	575030.003	KFG35
	Ø 45, M12/M12	575040.001	KF7,5 - 20, KFG13 - 20 & KRV7 - 20
	Ø 50, M12/M12	575040.004	KF27 & KFG27
	Ø 50, M12/M14	575040.002	KFG30 & KRV30
	Ø 50, M14/M14	575040.005	KFG27 - 30, KF27 & KRV30
	Ø 60, M14/M14	575040.003	KFG35
	Ø 45, M12/M12	575050.001	KF7,5 - 20, KFG13 - 20 & KRV7 - 20
	Ø 50, M12/M12	575050.004	KF27 & KFG27
	Ø 50, M12/M14	575050.002	KFG30 & KRV30
	Ø 50, M14/M14	575050.005	KFG27 - 30, KF27 & KRV30
	Ø 60, M14/M14	575050.003	KFG35
	Ø 45, M12/M12	506005	KF7,5 - 20, KFG13 - 20 & KRV7 - 20
	Ø 50, M12/M12	506006	KF27 & KFG27
	Ø 50, M12/M14	506007	KFG30 & KRV30
	Ø 50, M14/M14	506014	KFG27 - 30, KF27 & KRV30
	Ø 60, M14/M14	506008	KFG35, KFGL35 & KRV35

**NOTE!**

68mm "French" and 40mm DIN eyes available.

Kits comprise : Head or Eye, Bolts, Nuts, Shaped Washer(s) and Black Cap(s).

See also "Bellows" on separate sheet.

 For unbraked drawbars, unbraked trailers O<sub>1</sub> – Classification limited to 750kg gross mass.Secondary coupling is available for use with un-braked drawbars - Part No. **577007**.

GO TO

COUPLING  
ASSEMBLIES

HEADS  
& EYES

SPARES  
KF7 – KFGL35

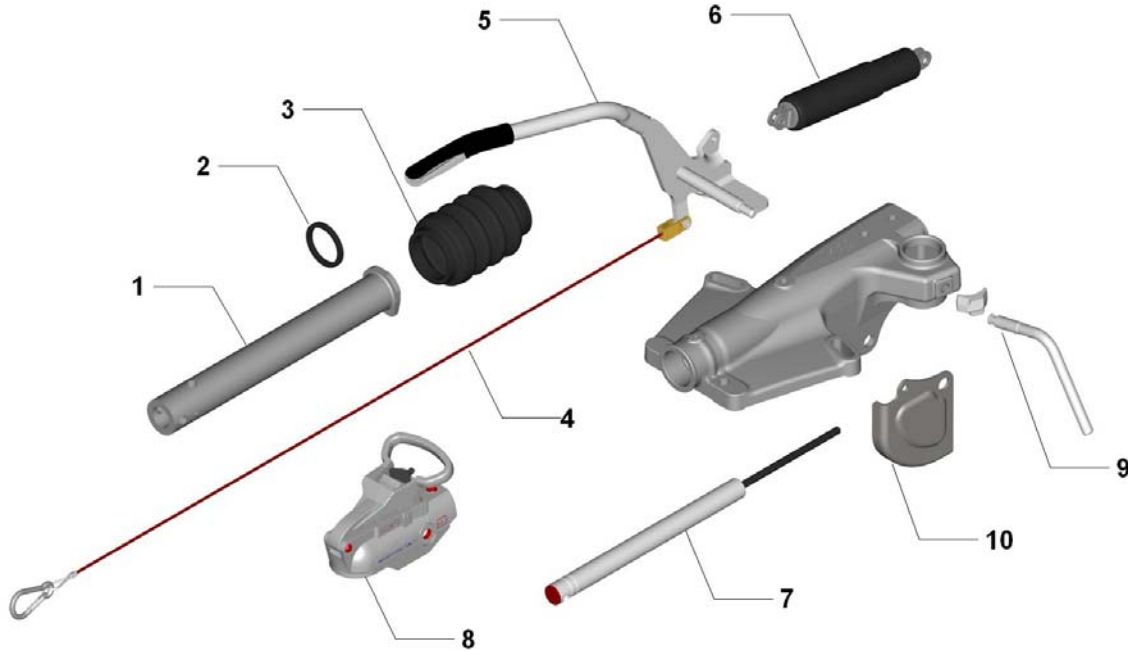
SPARES  
KRV7,5 – KRV35

COUPLING  
COMPONENTS

TECHNOLOGY · PRODUCTS · SERVICE...  
...THE COMPLETE PACKAGE!

**KNOTT-AVONRIDE**  
LIMITED

**COUPLING SPARES**  
KFG13 – KFG35



No.	Description	To Suit	Part Number
1	Drawtube	KFG13-20	9810309402
		KFG27-30 (Ø14)	202041.002
		KFG27 (Ø12)	9810389402
		KFG30 (Ø12 & Ø14)	9885759302
		KFG35	9870004402 (cross bolts)
		KFG35	9870009402 (2x horizontal bolts)
2	Storing	KFG13 - KFG30*	69001494
		KFG13 – KFG20**	206596.001 Ø45
		KFG27-30**	206596.002 Ø50
		KFG35*	69004394
		KFG35**	206596.003
3	Bellows	KFG13 - KFG30	577002 (eye)
		KFG13 - KFG30	577004 (head)
		KFG35	577005 (head)
		KFG35	577006 (eye)
4	Breakaway Cable		577001 **
			577012 *
5	Handbrake Assembly		6J1309.001 *
			6J1389.001 **

No.	Description	To Suit	Part Number
6	Handbrake Energy Store	KFG13-20	202453.001 **
		KFG13-20	98702594 *
		KFG27-30	202453.001 **
		KFG27-30	98702694 *
		KFG35	202453.001 **
		KFG35	98702694 *
7	Damper	KFG13	576000
		KFG20	576001
		KFG27 (Ø12)	576002
		KFG27 (Ø14)	576005
		KFG30 (Ø12)	576006 *
		KFG30 (Ø14)	576007 **
		KFG35	576003
8	Head / Eye	See Page 2	
9	Jockey Handle & Pad		577000 (Short 100x130mm)
			577011 (Long 150x130mm)
			577015 (XL 200x130mm)
10	Skid		206593.001

\* Old      \*\* Current (as shown)

GO TO

COUPLING ASSEMBLIES

HEADS & EYES

SPARES KFG13 - KFG35

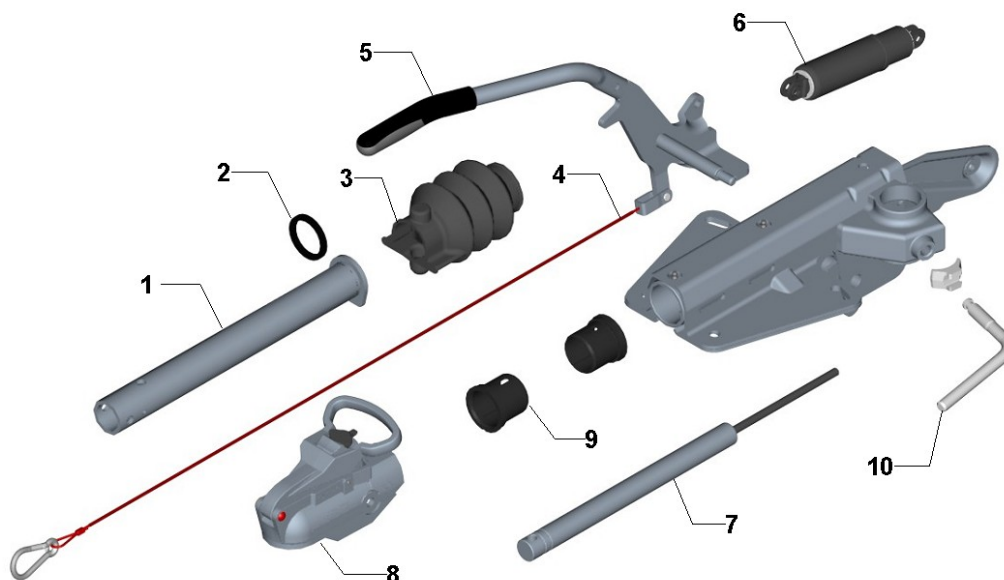
SPARES KRV7,5 - KRV35

COUPLING COMPONENTS

TECHNOLOGY · PRODUCTS · SERVICE...  
...THE COMPLETE PACKAGE!

**KNOTT-AVONRIDE LIMITED**

**COUPLING SPARES**  
KF7 – KFGL35



No.	Description	To Suit	Part Number
1	Drawtube	KF7-20	9810309402
		KF27 (Ø12)	9810389402
		KF27 (Ø14)	202041.002
		KFGL35	9870009402
2	Stop ring	KF7,5 – 27*	69001494
		KF7,5 - 20**	206596.001 Ø45
		KF27**	206596.002 Ø50
		KFGL35*	69004394
3	Bellows	KF7,5 - 27	577002
		KFGL35	577006
4	Breakaway Cable	KF7,5 – 27 & KFGL35	577001 **
			577012 *
5	Handbrake Assembly	KF7,5 - 20	6J1309.001 *
		KF7,5 - 20	6J1349.001 **
		KF27	6J1309.001 *
		KF27	6J1595.003 **
		KFGL35	204098.001

No.	Description	To Suit	Part Number
6	Handbrake Energy Store	KF7-20	201856.001 **
		KF7-20	98702594 *
		KF27	201856.001 **
		KF27	98702694 *
		KFGL35	990029.02
7	Damper	KF7,5	576004
		KF13	576000
		KF20	576001
		KF27 (Ø12)	576002 *
		KF27 (Ø14)	576005 **
8	Head / Eye	KFGL35	576003
		See Page 2	
		KF7-20 (Ø45mm)	577009
		KF27 (Ø50mm)	577010
9	Clip in Bush (Started Mid '09)	KF7-20 (Ø45mm)	577009
		KF27 (Ø50mm)	577010
10	Jockey Handle & Pad		577000
			(short 100x130mm)
			577011
			(long 150x130mm)
		577015	
		(XL 200x130mm)	

\* Old

\*\* Current (as shown)

GO TO

COUPLING  
ASSEMBLIES

HEADS  
& EYES

SPARES  
KFG13 - KFG35

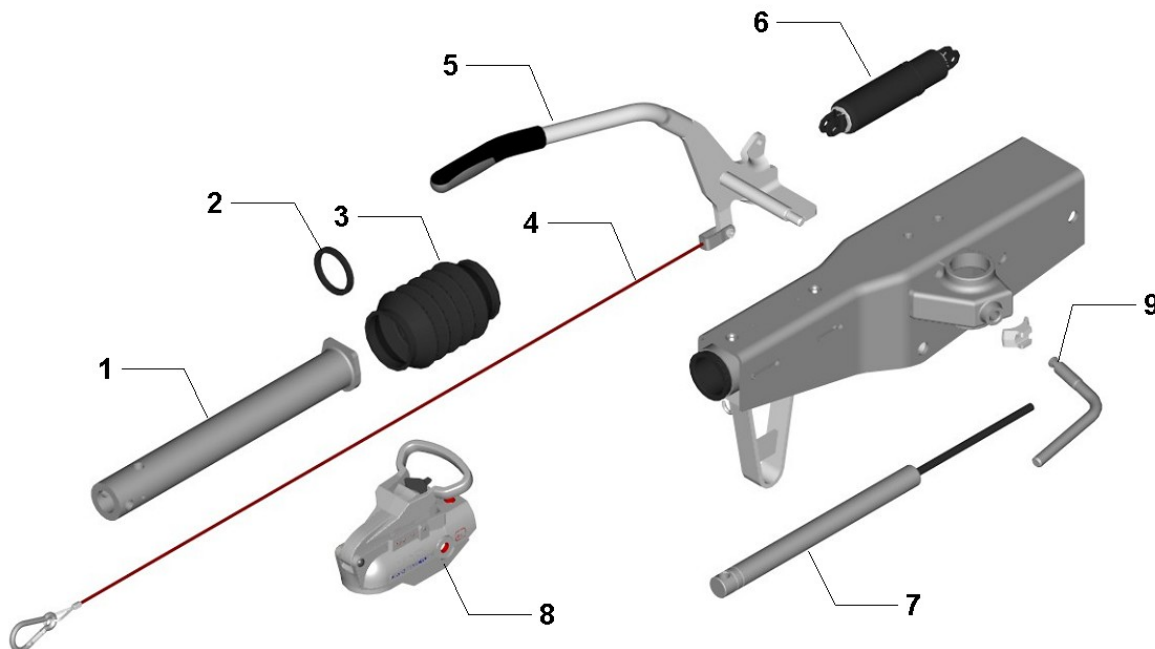
SPARES  
KF7 - KFGL35

COUPLING  
COMPONENTS

TECHNOLOGY · PRODUCTS · SERVICE...  
...THE COMPLETE PACKAGE!

**KNOTT-AVONRIDE**  
LIMITED

**COUPLING SPARES**  
KRV7,5 – KRV35



No.	Description	To Suit	Part Number
1	Drawtube	KRV7,5 - 20	9810309402
		KRV30 (Ø12 & Ø14)	9885759302
		KRV30 (2 x Ø14)	202041.002
		KRV35	9870009402
2	Stopring	KRV7,5 – 30*	69001494
		KRV7,5 – 20**	206596.001 Ø45
		KRV30**	206596.002 Ø50
		KRV35*	69004394
3	Bellows	KRV7,5 - 30	206596.003 Ø60
		KRV35	577002
4	Breakaway Cable	KRV7,5 - 30	577001 **
			577012 *
5	Handbrake Assembly	KRV7,5 - 20 (60, 70 & 80 Sq)	6J1595.001 **
			6J1339.001 *
		KRV20 - 30 (100 Sq)	6J1595.002 **
			6J1339.001 *
6	Handbrake Energy Store	KRV35	204149.001
		KRV7 - 20	201856.001 **
		KRV7 - 20	98702594 *
		KRV30	202453.001 **
		KRV30	98702694 *
7	Damper	KRV35	202453.001
		KRV7,5	576004
		KRV13	576000
		KRV20	576001
		KRV30 (Ø12)	576006 *
		KRV30 (Ø14)	576007 **
8	Head / Eye	KRV35	576003
		See Page 2	
9	Jockey Handle & Pad	All	577000 (Short 100x130mm)
			577011 (Long 150x130mm)
			577015 (XL 200x130mm)

\* Old

\*\* Current (As shown)

GO TO

COUPLING  
ASSEMBLIES

HEADS  
& EYES

SPARES  
KFG13 - KFG35

SPARES  
KF7 - KFGL35

SPARES  
KRV7,5 - KRV35

TECHNOLOGY · PRODUCTS · SERVICE...  
...THE COMPLETE PACKAGE!

**KNOTT-AVONRIDE**  
LIMITED

**COUPLING COMPONENTS**

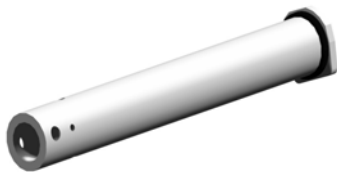
**OVERRUN DAMPERS**



Range (kg)	Part Number (Marking)	Applications
375 – 750	576004 (87000309)	KRV7,5, KF7,5
750 – 1300	576000 (87000709)	KRV13, KFG13 & KF 13
1100 – 2000	576001 (87001109)	KRV20, KFG20 & KF20
1400 - 2700	576002 (87003109)	KFG27 & KF27 with Ø12 Hole
1400 - 2700	576005 (8700310914)	KFG27 & KF27 with Ø14 Hole
1600 - 3000	576006 (87001409)	KRV30 & KFG30 with Ø12 Hole
1600 - 3000	576007 (87001409-K)	KRV30 & KFG30 with Ø14 Hole
2700 - 3500	576003 (87003609)	KFG35

**DRAWTUBES**

*Comes complete with Stopring*



Fitting	Part Number	Applications
Ø 45 M12/M12	9810309402	KF7,5 - KF20, KRV7,5-KRV20, KFG13 & KFG20
Ø 50 M12/M12	9810389402	KF27 & KFG27
Ø 50 M12/M14	9885759302	KRV30 & KFG30
Ø 50 M14/M14	202041.002	KF27 & KFG 27 - 30
Ø 60 M14/M14	9870004402	KFG35

**BELLOWS**



Part Number	Applications
577002	KF7,5 - KF27 & KRV13 - KRV30
577003	KF7,5 - KF27 & KRV13 - KRV30
577004	KFG13 - KFG30
577005	KFG35 Heads Only
577006	KFG35 Eyes Only

**HANDBRAKE ENERGY STORE**



Type	Part Number	Capacity (kg)
Spring Pack Energy Store (Metal Casing)	98702594	750 - 2000
	98702694	2700 - 3500
Oil Damped Energy Store (Black Plastic Casing)	201856.001	KF7,5 - KF27, & KRV13 - KRV20
	202453.001	KRV30 & KFG13 - 35

**BREAKAWAY CABLE**



Type	Part Number
Current Oil Damped Energy Store	577001
Old Style Spring Pack	577012

**NOTE:** New cable can be fitted in place of old – please check for full travel of handbrake lever.