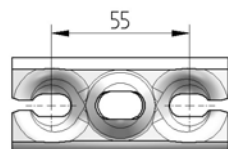


BRAKE COMPENSATOR

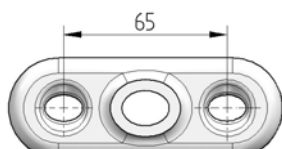
**Current Knott Group
Balance Bar**



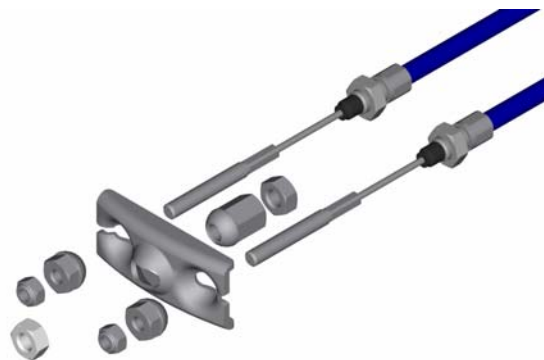
*For use with threaded
& pronto-fit cables*

**Old Avonride
Balance Bar**

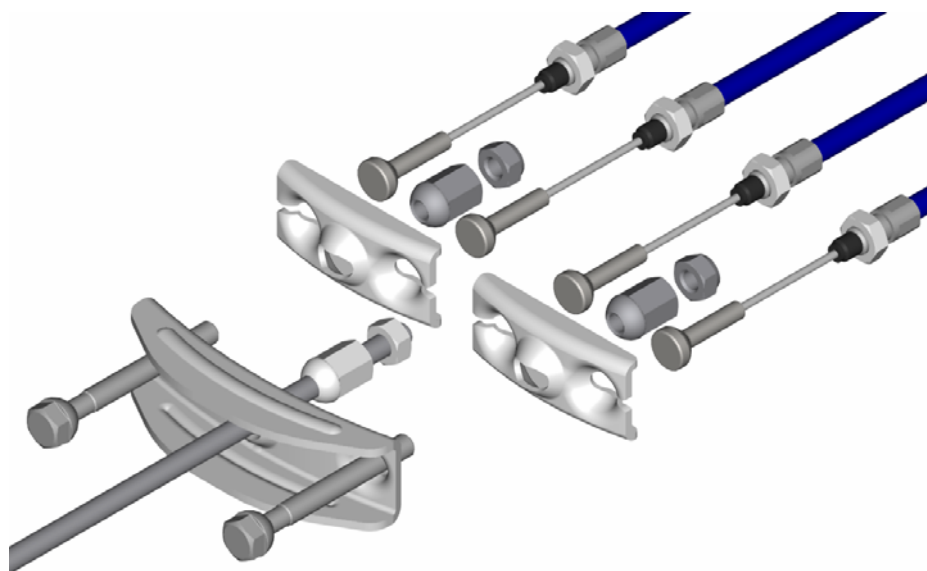
(no longer used on current production)



*For use with threaded
cables only*



Description	Comprising	Part Number
Tandem Axle Compensator Kit (Avonride – 65 Centres)	Equaliser Bar Balance Bar (x2) & Fasteners	572002
Single Axle Compensator Kit (Avonride – 65 Centres)	Balance Bar & Fasteners	572001



Description	Comprising	Part Number
<u>Pronto-Fit</u> Tandem Axle Compensator Kit (Knott – 55 Centres)	Equaliser Bar Balance Bar (x2) & Fasteners	572012
<u>Pronto-Fit</u> Single Axle Compensator Kit (Knott – 55 Centres)	Balance Bar & Fasteners	572013