

GO TO

AXLE ASSEMBLIES
Braked 1000kg – 1500kg

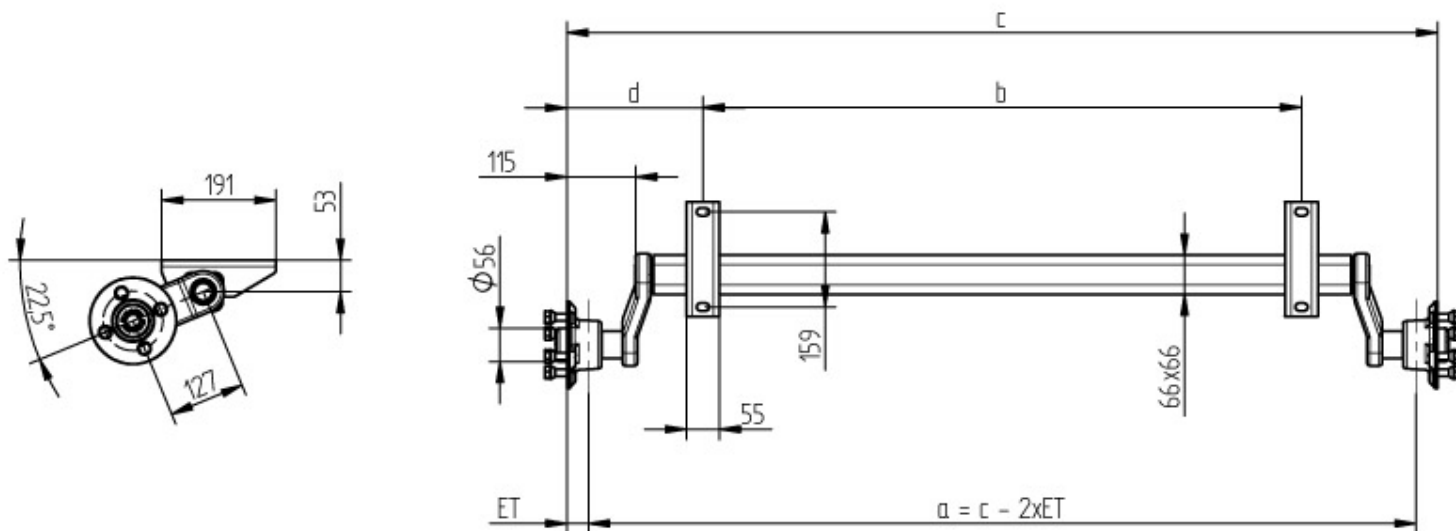
AXLE ASSEMBLIES
Braked 1800kg

SUSPENSION
UNITS

TECHNOLOGY · PRODUCTS · SERVICE...
...THE COMPLETE PACKAGE!

KNOTT-AVONRIDE
LIMITED

AXLE ASSEMBLIES
Unbraked 750kg



Data for Rubber Compression Axle

Axle Beam: Galvanised
Speed (Where limits allow) 87 mph (140kmph)
Permissible axle load: 750kg

Type	Capacity (kg)	b	c	d ①	ET ②	PCD ③	Weight (kg)	Part Number
QB07Z	750	1000	1450	225	25 – 35	4/100 4/101.6	31	C63320.001 C63321.001
QB07Z	750	1100	1550	225	25 – 35	4/100 4/101.6	32	C63320.002 C63321.002
QB07Z	750	1200	1650	225	25 – 35	4/100 4/101.6	32	C63320.003 C63321.003
QB07Z	750	1300	1750	225	25 – 35	4/100 4/101.6	33	C63320.004 C63321.004
QB07Z	750	1400	1850	225	25 – 35	4/100 4/101.6	34	C63320.005 C63321.005
QB07Z	750	1500	1950	225	25 – 35	4/100 4/101.6	35	C63320.006 C63321.006

① “d” minimum = 175mm

② Offset zero also available

③ Other fixing patterns available

GO TO

AXLE ASSEMBLIES
Unbraked 750kg

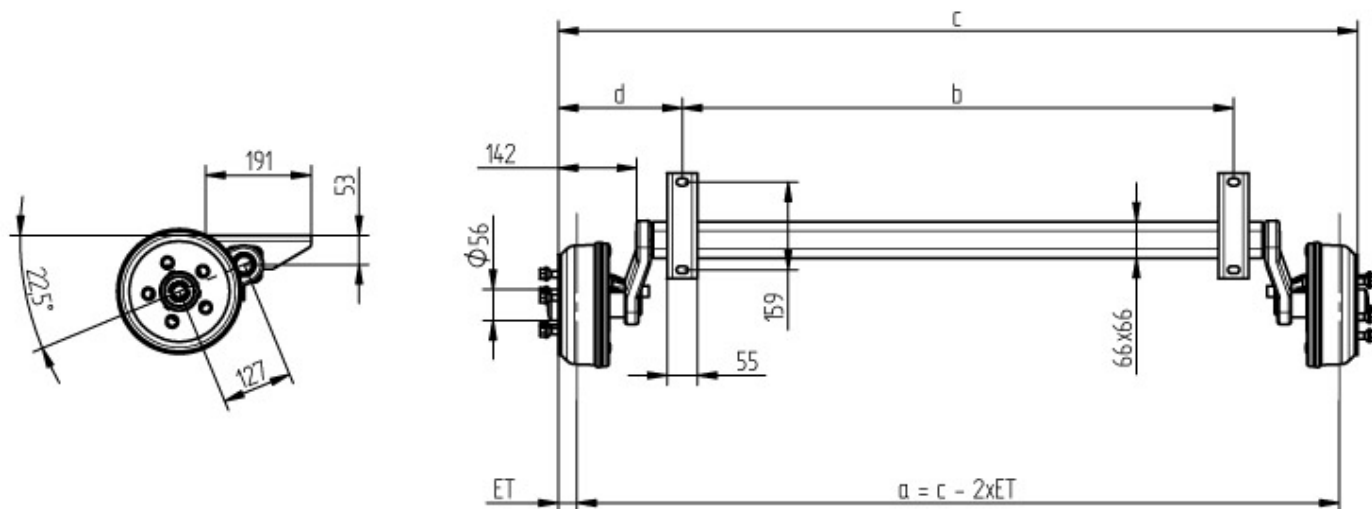
AXLE ASSEMBLIES
Braked 1800kg

SUSPENSION
UNITS

TECHNOLOGY · PRODUCTS · SERVICE...
...THE COMPLETE PACKAGE!

KNOTT-AVONRIDE
LIMITED

AXLE ASSEMBLIES
Braked 1000kg - 1500kg



Data for Rubber Compression Axle

Axle Beam:	Galvanised	Permissible axle load:	1000kg – 1500kg
Speed (where limits allow)	87mph (140kmph)	Brake type:	20-2425/1
		Type of Brake:	200x50

Type	Capacity (kg)	b	c	d ①	ET ②	PCD ③	Weight (kg)	Part Number
QB10C	1000	1000	1450	225	25 – 35	4/100 5/112	47	C68366.001 C68367.001
QB10C	1000	1100	1550	225	25 – 35	4/100 5/112	48	C68366.002 C68367.002
QB10C	1000	1200	1650	225	25 – 35	4/100 5/112	49	C68366.002 C68367.002
QB10C	1000	1300	1750	225	25 – 35	4/100 5/112	50	C68366.003 C68367.003
QB10C	1000	1400	1850	225	25 – 35	4/100 5/112	50	C68366.004 C68367.004
QB10C	1000	1500	1950	225	25 – 35	4/100 5/112	51	C68366.005 C68367.005
QB10C	1000	1600	2050	225	25 – 35	4/100 5/112	52	C68366.006 C68367.006
QB10C	1000	1700	2150	225	25 – 35	4/100 5/112	52	C68366.007 C68367.007
QB10C	1000	1800	2250	225	25 – 35	4/100 5/112	53	C68366.008 C68367.008
QB10C	1000	1900	2350	225	25 – 35	4/100 5/112	54	C68366.009 C68367.009

① “d” minimum = 175mm

② Offset zero also available

③ Other fixing patterns available

GO TO

AXLE ASSEMBLIES
Unbraked 750kg

AXLE ASSEMBLIES
Braked 1800kg

SUSPENSION
UNITS

TECHNOLOGY · PRODUCTS · SERVICE...
...THE COMPLETE PACKAGE!

KNOTT-AVONRIDE
LIMITED

AXLE ASSEMBLIES
Braked 1000kg – 1500kg

Type	Capacity (kg)	b	c	d ①	ET ②	PCD ③	Weight (kg)	Part Number
QB13C	1350	1000	1450	225	25 – 35	4/100 5/112	52	C68321.001 C68348.002
QB13C	1350	1100	1550	225	25 – 35	4/100 5/112	53	C68321.003 C68348.004
QB13C	1350	1200	1650	225	25 – 35	4/100 5/112	54	C68321.005 C68348.006
QB13C	1350	1300	1750	225	25 – 35	4/100 5/112	55	C68321.007 C68348.008
QB13C	1350	1400	1850	225	25 – 35	4/100 5/112	56	C68321.009 C68348.010
QB13C	1350	1500	1950	225	25 – 35	4/100 5/112	57	C68321.011 C68348.012
QB13C	1350	1600	2050	225	25 – 35	4/100 5/112	58	C68321.013 C68348.014
QB13C	1350	1700	2150	225	25 – 35	4/100 5/112	59	C68321.015 C68348.016
QB13C	1350	1800	2250	225	25 – 35	4/100 5/112	60	C68321.017 C68348.018
QB13C	1350	1900	2350	225	25 – 35	4/100 5/112	61	C68321.019 C68348.020

Type	Capacity (kg)	b	c	d ①	ET ②	PCD ③	Weight (kg)	Part Number
QB15C	1500	1000	1450	225	25 – 35	4/100 5/112	55	C68321.002 C68348.003
QB15C	1500	1100	1550	225	25 – 35	4/100 5/112	56	C68321.004 C68348.005
QB15C	1500	1200	1650	225	25 – 35	4/100 5/112	57	C68321.006 C68348.007
QB15C	1500	1300	1750	225	25 – 35	4/100 5/112	58	C68321.008 C68348.009
QB15C	1500	1400	1850	225	25 – 35	4/100 5/112	59	C68321.010 C68348.011
QB15C	1500	1500	1950	225	25 – 35	4/100 5/112	60	C68321.012 C68348.013
QB15C	1500	1600	2050	225	25 – 35	4/100 5/112	61	C68321.014 C68348.015
QB15C	1500	1700	2150	225	25 – 35	4/100 5/112	62	C68321.016 C68348.017
QB15C	1500	1800	2250	225	25 – 35	4/100 5/112	63	C68321.018 C68348.019
QB15C	1500	1900	2350	225	25 – 35	4/100 5/112	64	C68321.020 C68348.021

① "d" minimum = 175mm

② Offset zero also available

③ Other fixing patterns available

GO TO

AXLE ASSEMBLIES
Unbraked 750kg

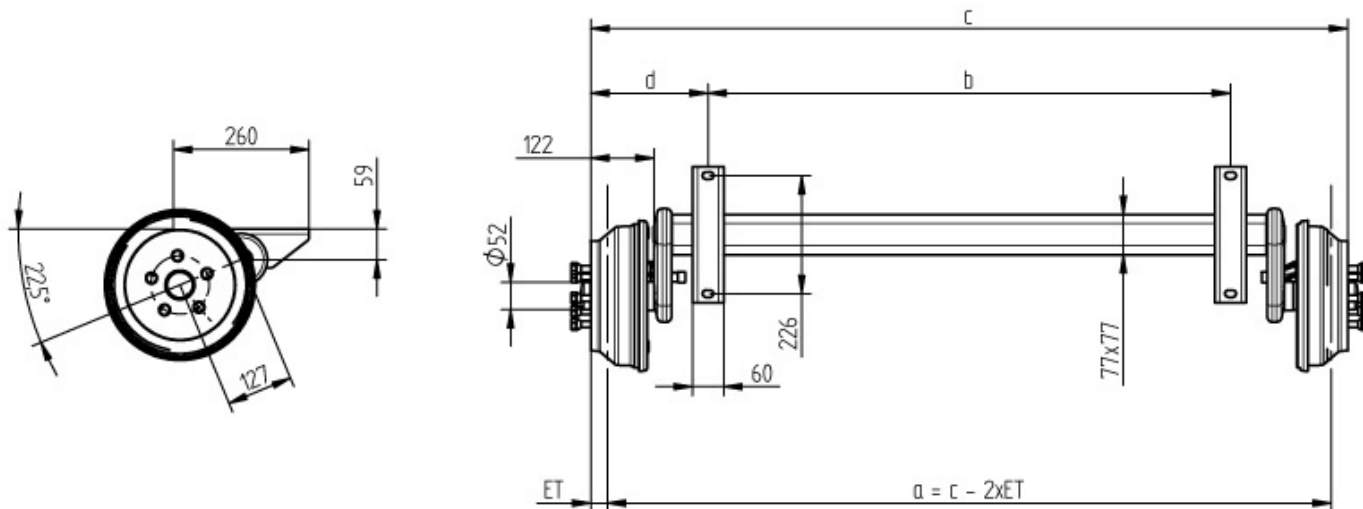
AXLE ASSEMBLIES
Braked 1000kg – 1500kg

SUSPENSION
UNITS

TECHNOLOGY · PRODUCTS · SERVICE...
...THE COMPLETE PACKAGE!

KNOTT-AVONRIDE
LIMITED

AXLE ASSEMBLIES
Braked 1800kg



Data for Rubber Compression Axle

Axle Beam:	Galvanised	Permissible axle load:	1800kg
Speed (where limits allow)	87mph (140kmph)	Brake type:	25-2025
		Type of Brake:	250x40

Type	Capacity (kg)	b	c	d ①	ET ②	PCD ③	Weight (kg)	Part Number
QC18D	1800	1000	1450	225	25 – 35	5/112 5/165	78	C69310.003 C69324.001
QC18D	1800	1100	1550	225	25 – 35	5/112 5/165	79	C69310.004 C69324.002
QC18D	1800	1200	1650	225	25 – 35	5/112 5/165	80	C69310.005 C69324.003
QC18D	1800	1300	1750	225	25 – 35	5/112 5/165	81	C69310.006 C69324.004
QC18D	1800	1400	1850	225	25 – 35	5/112 5/165	82	C69310.007 C69324.005
QC18D	1800	1500	1950	225	25 – 35	5/112 5/165	83	C69310.008 C69324.006
QC18D	1800	1600	2050	225	25 – 35	5/112 5/165	84	C69310.009 C69324.007
QC18D	1800	1700	2150	225	25 – 35	5/112 5/165	85	C69310.010 C69324.008
QC18D	1800	1800	2250	225	25 – 35	5/112 5/165	86	C69310.011 C69324.009
QC18D	1800	1900	2350	225	25 – 35	5/112 5/165	87	C69310.012 C69324.010

① “d” minimum = 175mm

② Offset zero also available

③ Other fixing patterns available

GO TO

AXLE ASSEMBLIES
Unbraked 750kg

AXLE ASSEMBLIES
Braked 1000kg - 1500kg

AXLE ASSEMBLIES
Braked 1800kg

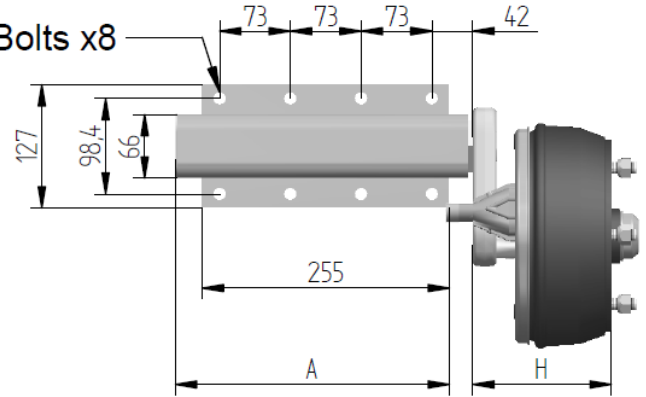
TECHNOLOGY · PRODUCTS · SERVICE...
...THE COMPLETE PACKAGE!

KNOTT-AVONRIDE
LIMITED

**SUSPENSION
UNITS**

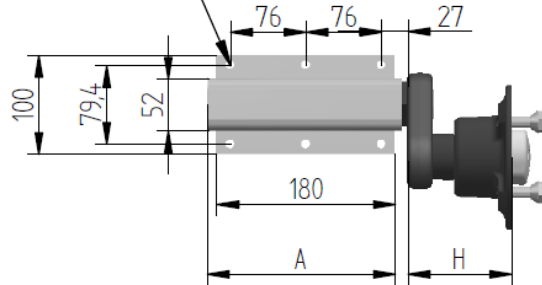
Holes for M12 Bolts x8

Fixing plate pattern for
750 to 1550kg Units



Holes for M8 Bolts x6

Fixing plate pattern for
350 to 550kg Units



Max Capacity (kg/pair)	Brake Size	Dimension (mm)		PCD ①	
		A	H		
350	Unbraked	176	86,110 or 122	4x101.6	3/8"
550	Unbraked	176	86,110 or 122	4x101.6	3/8"
550	160x35	176	132	4x101.6	3/8"
				4x100	M12
750	Unbraked	287	86,110 or 122	4x101.6	3/8"
				4x100	M12
				4x139.7	M12
750	160x35	287	132	4x101.6	3/8"
				4x100	M12
1100	200x50	287	148	4x100	M12
				4x139.7	M12
				5x152.4	M12
1300	200x50	350	148	4x100	M12
				4x139.7	M12
				5x152.4	M12
				5x165.1	M16
1500	200x50	465	148	4x139.7	M12
				5x152.4	M12
				5x165.1	M16
1550	250x40	465	138	5x140	M16
				4x139.7	M12
				5x165.1	M16

Matching Fixing Plates also available:- **C10939** - 180x100mm (6xM8 Holes) **C10940** – 255x127mm (8xM12 Holes)

① Other fixing patterns are available