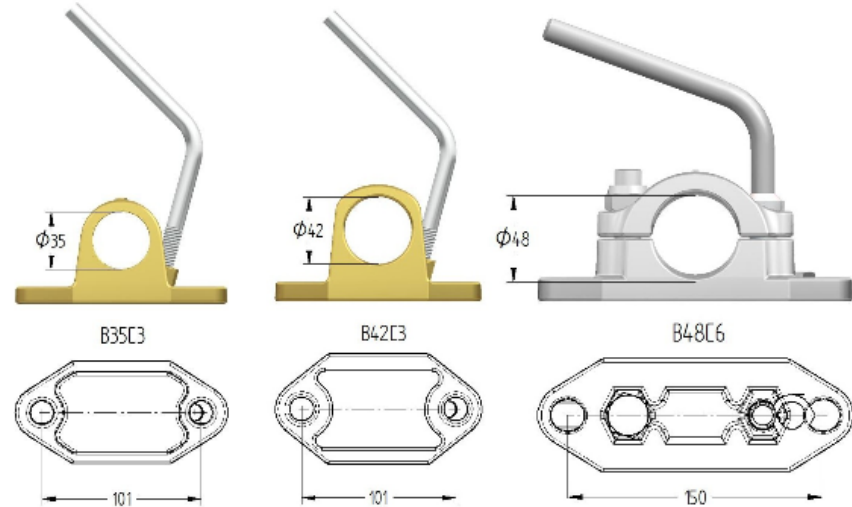
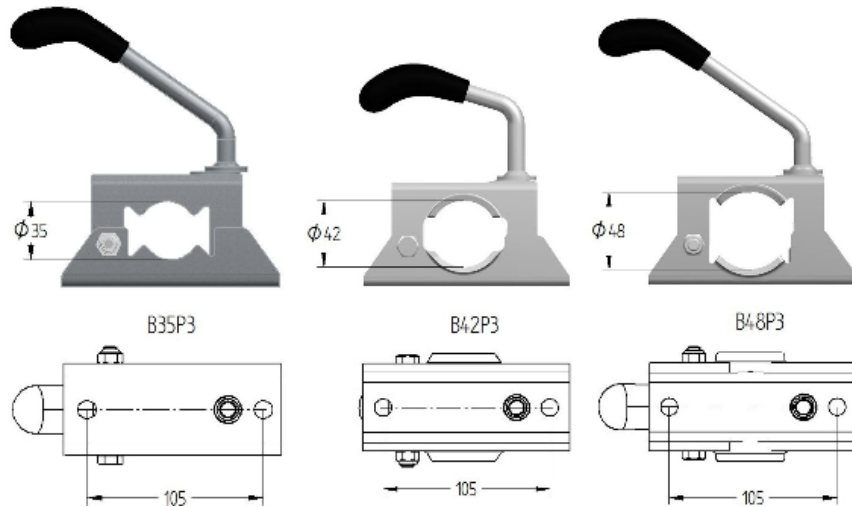


We trust that you have seen our previous e-shots showing our extensive range of jockey wheels and propstands. (If not then please let us know and we can send it again.) As promised, here are our main runners for the brackets that suit those jockey wheels and props. They are separated in to three groups:-

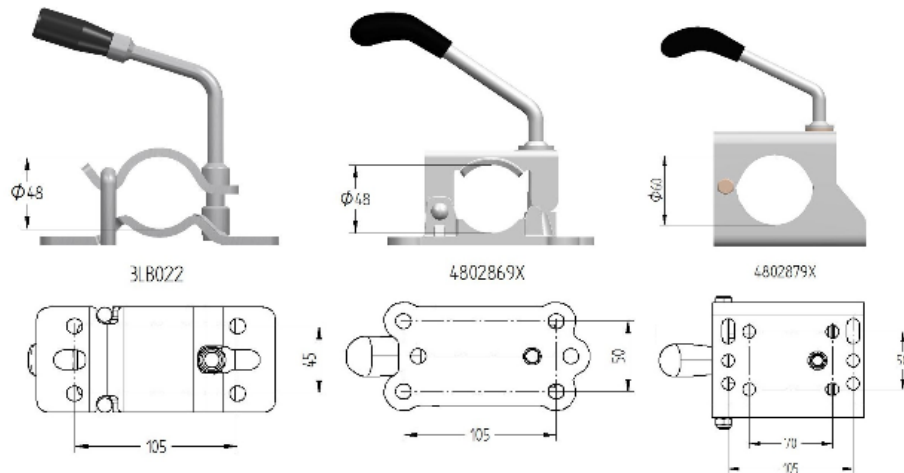
- » Pressed Steel 35mm, 42mm, 48mm
- » Cast 35mm, 42mm, 48mm
- » Other fabricated brackets for 48mm & 60mm

Coming Soon!
More information on our range of Propstands
Keep a look out!

PRESSED STEEL CAST



OTHERS



If you require further information on our range of brackets, or any other products, please contact us on:-
01283 531541 or sales@knottuk.com
 and we will be happy to assist you!