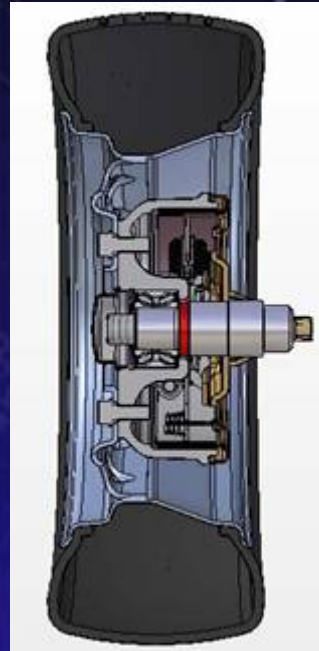


WHEEL & TYRE ASSEMBLIES



- Extensive range to accommodate most design requirements.
- Fully compatible with Knott-Avonride Ltd hub assemblies.
- Up to date technical & dimensional data.
- Approved 'quality' brands for all inset/offset and PCD requirements.
- See following information sheets, our website or contact our offices for further information specific to your requirements.

Tyre Data

Data Sheet A

TYRE SIZE	CAPACITY PER SINGLE AXLE (up to 100km/h) kg	OUTSIDE TYRE DIA. mm	SECTION WIDTH mm	STATIC TYRE RADIUS mm	PRESSURE		WHEEL CODE
					BAR	P.S.I.	
4.00-8 4PR	540	415	114	193	- 3.5	51	1,2
4.00-8 6PR	680	415	114	193	4.25	62	1,2
5.00-10 8PR	1000	516	134	239	4.5	65	6
145R10 4PR	693	493	140	223	2.4	35	4,5,6
145R10 C 8PR	1000	489	145	229	4.5	65	6
195/55R10	1500	468	193	215	5.2	76	7
155R12 4PR	880	551	151	250	2.4	35	8,9
155/70R12	1800	523	157	242	6.25	91	10,11,12
145/80R13	825	562	145	255	2.4	35	13,14
155/80R13	935	578	157	262	2.4	35	13,14
165/80R13	1045	594	165	268	2.9	42	13,14
175R13	1165	608	178	273	2.5	36	13,14
175R13 C 6PR	1407	611	178	281	3.75	54	13,14,15
185R13 C 6PR	1500	617	189	284	3.75	54	14,15
185/70R13 C	1900	600	186	278	6.0	87	16
195/50R13 C	1800	526	196	249	6.5	94	16
175R14 C 6PR	1491	628	180	287	3.75	54	17,19
175R14 C 8PR	1627	628	180	287	4.5	65	17,19
185R14 C 8PR	1782	648	190	303	4.5	65	17,19
195R14 C 6PR	1785	670	194	307	3.75	54	17,19
195R14 C 8PR	1995	670	194	307	4.5	65	17,19
205R14 C 8PR	2163	685	211	314	4.5	65	17,19
215R14 C 8PR	2352	700	218	323	4.5	65	17,18,19
7.50R16 C 6PR	2100	802	208	371	4.0	58	20
7.50R16 C 8PR	2352	802	208	371	4.5	65	20
7.50R16 12PR	3045	795	206	368	6.25	91	21,22,23
175/75R16 C	1800	668	177	305	4.75	69	20
205/75R16 C	2226	714	203	326	4.75	69	20
205R16 REIN	1980	736	211	337	3.2	46	20
215/75R16 C	2750	728	216	329	5.25	76	20
205/75R17.5	3000	765	214	352	6.25	91	24,25
215/75R17.5 (135J)	4360	767	211	351	8.1	117	24,25

All information provided for guidance only.

Issue 2

Wheel Data

Data Sheet B

WHEEL CODE	WHEEL SIZE	RIM INSET (-) RIM OUTSET (+)	NO. OF STUDS	PCD mm	STUD SIZE	SEATING OF NUT	TIGHTENING TORQUE Nm	CAPACITY PER SINGLE AXLE kg
2	2.50 x 8	0	4	100	M12	60°	81	680
3	5.00 x 8	+5	5	140	M14 BOLT	SPH	120	1500
4	3.50 x 10	0	4	101.6	3/8"	SPH	48	860
5	3.50 x 10	0	4	100	M12	60°	81	860
6	3.50 x 10	+6.35	4	139.7	M12	60°	81	1000
7	6.00 x 10	0	5	112	M12	SPH	85	1500
8	4.50 x 12	-30	4	101.6	3/8"	SPH	48	900
9	4.50 x 12	-30	4	100	M12	60°	81	900
10	4.50 x 12	0	5	112	M12	60°	88	1800
11	4.50 x 12	0	5	140	M16	SPH	108	1800
12	4.50 x 12	0	5	165.1	M16	80°	108	1800
13	4.50 x 13	-25.4	4	139.7	M12	60°	88	1300
14	4.50 x 13	-30	4	100	M12	60°	88	1500
15	5.50 x 13	-31.75	4	139.7	M12	60°	88	1500
16	5.50 x 13	-7	5	165.1	M16	80°	108	1900
17	5.50 x 14	-39	5	152.4	M12	60°	81	2352
18	6.00 x 14	+5	6	205	M18	SPH	323	2352
19	5.50 x 14	-30	5	112	M12	60°	81	1800
20	5.50 x 16	-32	5	165.1	M16	80°	108	2640
21	6.00 x 16	0	5	165.1	M16	80°	235	3000
22	6.00 x 16	0	6	205	M18	SPH	323	3000
23	6.00 x 16	0	6	205	M22	80°	460	3000
24	6.00 x 17.5	0	6	205	M18	SPH	323	4000
25	6.00 x 17.5	0	6	205	M22	80°	460	4000

All information provided for guidance only.

Issue 2