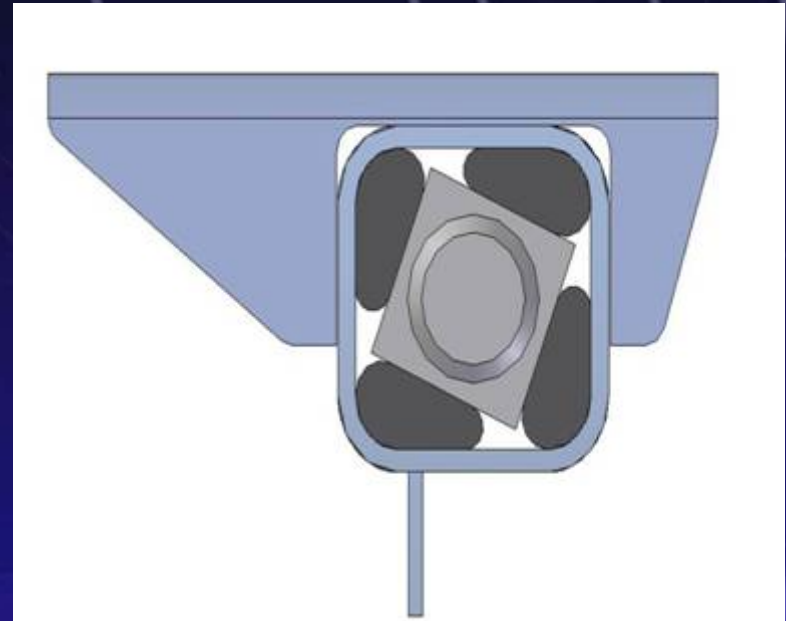
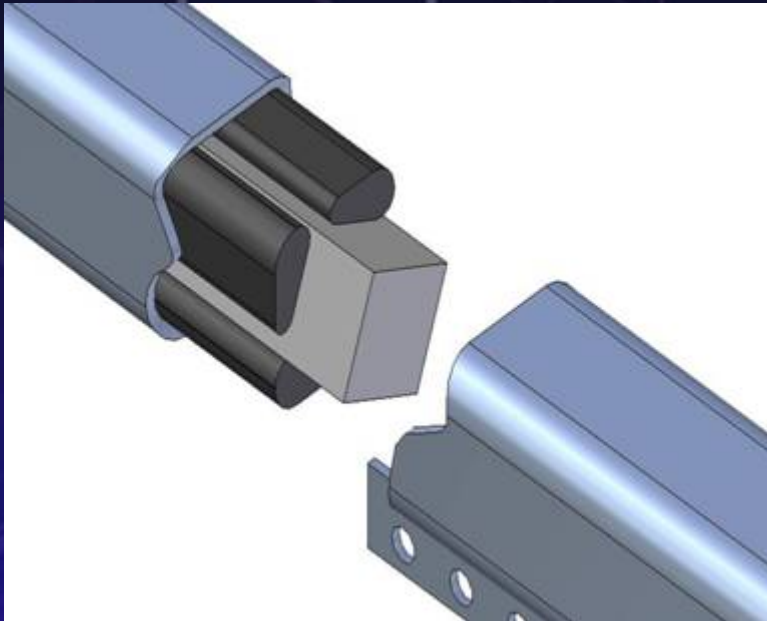


# RUBBER IN COMPRESSION



- Standard ride rubber in compression system with solid inner member, resulting in a sturdy construction and a top quality performance under all load conditions.
- Low maintenance & trouble free service.
- Preset toe in and camber.
- Quiet performance.
- Lower ride than spring suspension.

