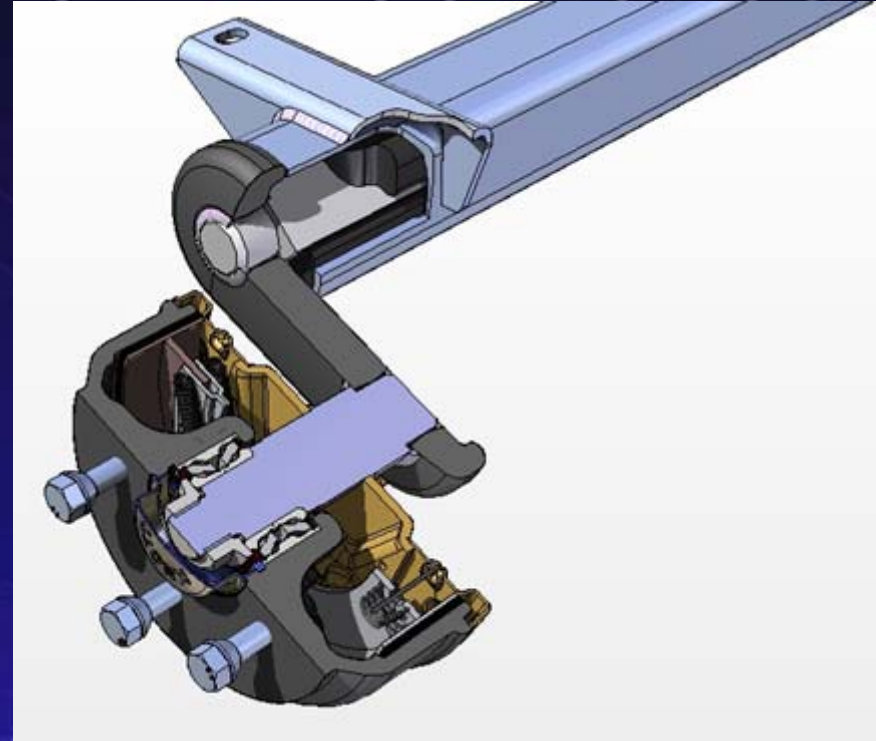
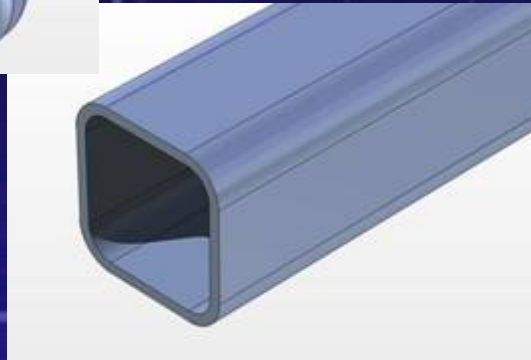


# QUALITY MATERIALS



- Solid forged “drop arms”.
- Rounded inner beam section for more progressive suspension.
- Solid inner members.
- Robotically welded joints for consistently high quality results.
- Galvanised or painted finish.

