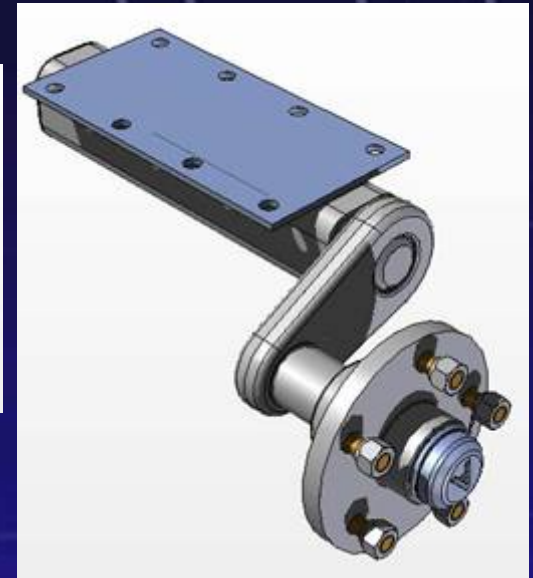
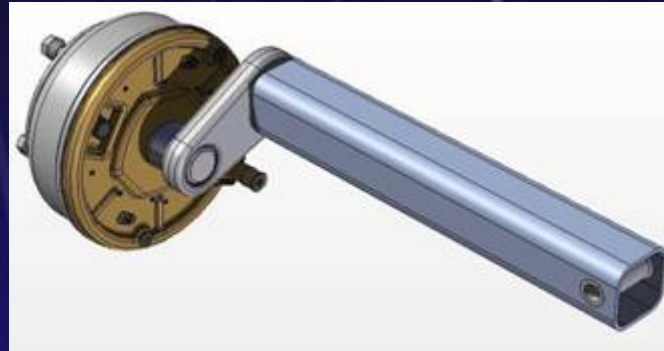
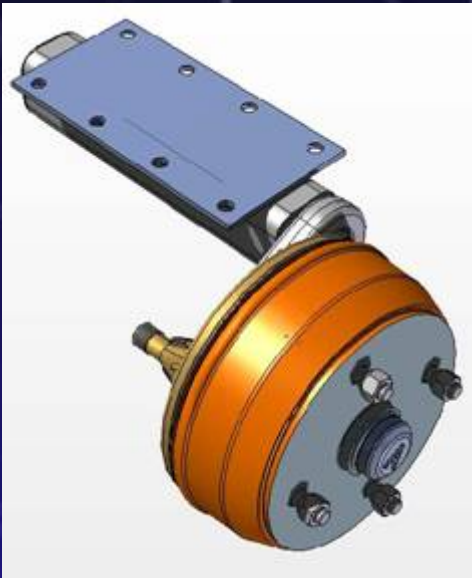


# INDEPENDENT SUSPENSION UNITS



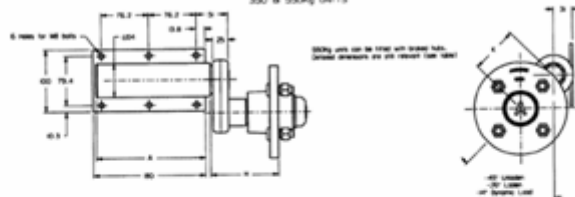
- Built to the same high specification as our standard rubber suspension axles.
- Capacities from 350kg to 1550kg.
- 4mm thick mounting plates; separate fixing plates also supplied for welding to trailer chassis
- Plated or painted finish.
- 'Off the shelf' availability.

## DIMENSIONAL DATA

## AVONRIDE UNITS

MAXIMUM CAPACITY KG/PAIR	CODE		BRAKE SIZE	AXLE DIMENSIONS		
	HUB	WHEEL		A	H	K
350	N	1,4		176	86	100
					110	
					122	
550	N	1,4		176	86	75
					110	
					122	
550	C	1,2,4,5,8,9,14	160 x 35	176	132	75
750	N	4		287	86	100
					110	
					122	
750	E	1,2,4,8,9,13,14		287	86	100
					110	
750	C	1,2,9,4,5,8,14	160 x 35	287	132	100
1100	A	4,5,6,8,9,13,14,17,20	200 x 50	287	148	100
1300	A	13,14,17,20	200 x 50	350	148	100
1500	A	14,15,17,20	200 x 50	465	148	100
1550	T	17,20	250 x 40	465	138	100
	V	11,12,16	250 x 40	465	138	100

350 & 550kg UNITS



750, 1000, 1300, 1500 & 1550kg UNITS

