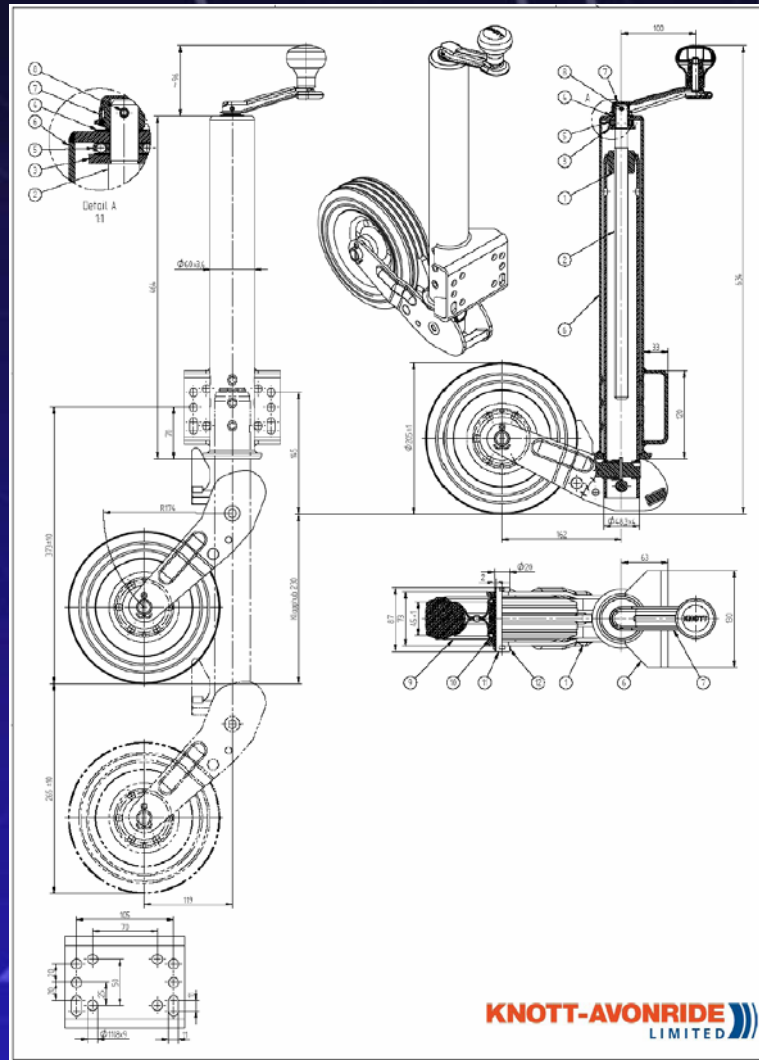


J360R

KNOTT-AVONRIDE Limited



KNOTT-AVONRIDE LIMITED