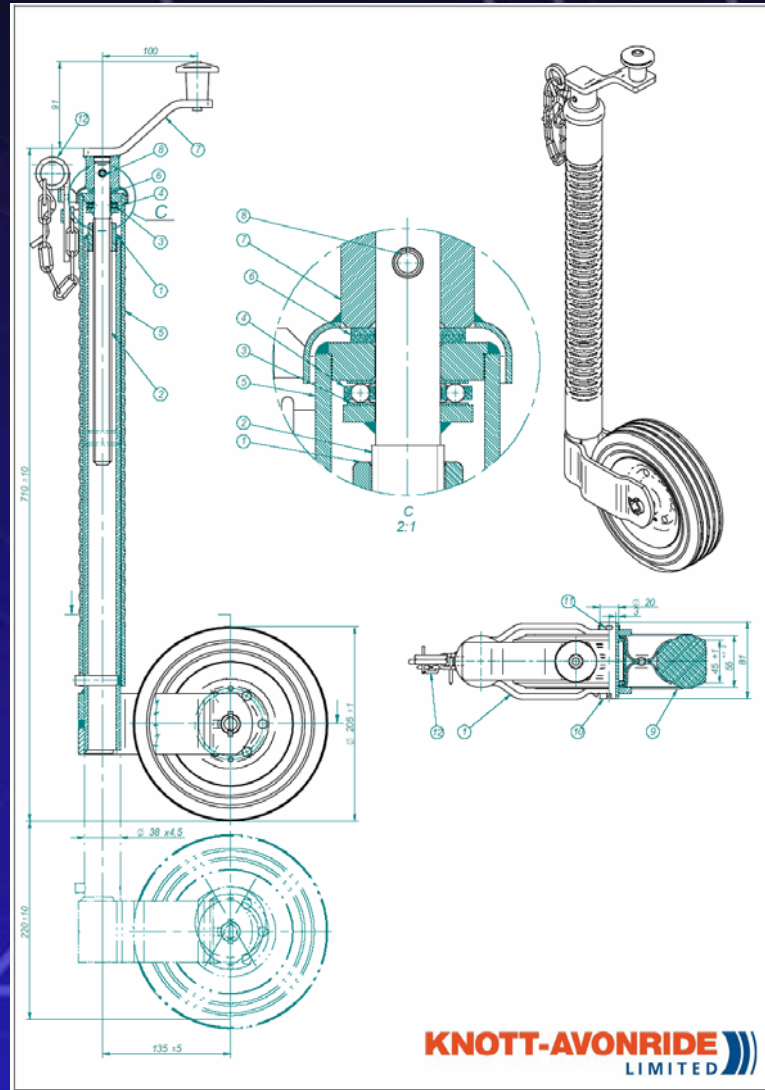


J348S205

KNOTT-AVONRIDE Limited



KNOTT-AVONRIDE LIMITED