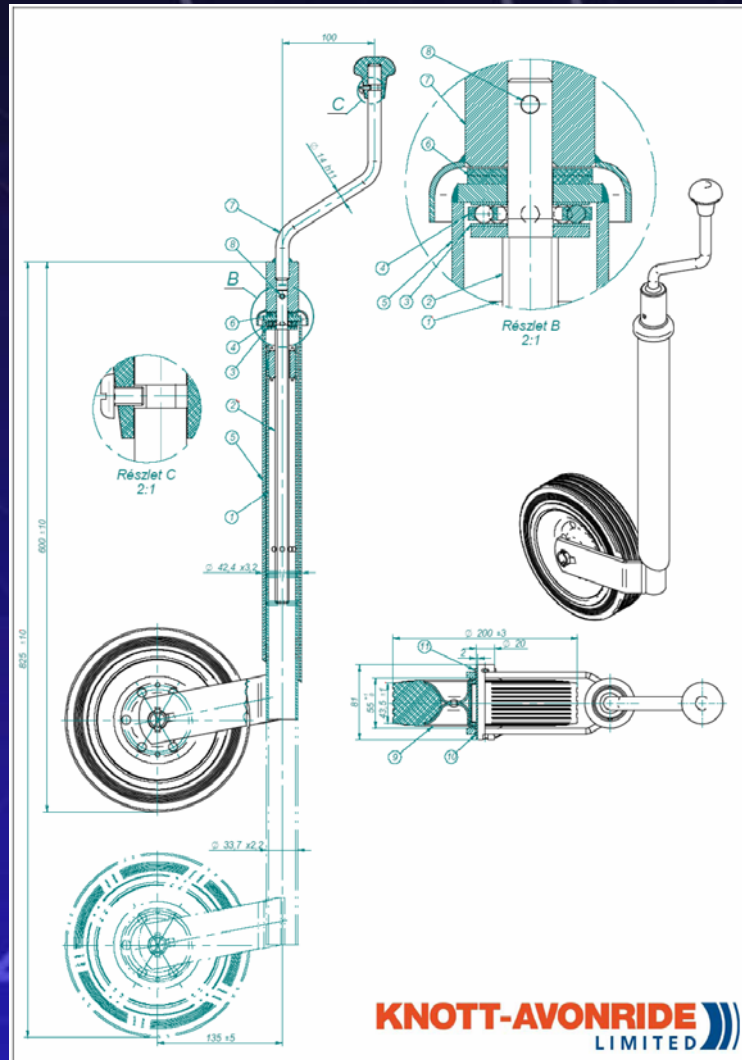


J142K

KNOTT-AVONRIDE Limited



KNOTT-AVONRIDE LIMITED