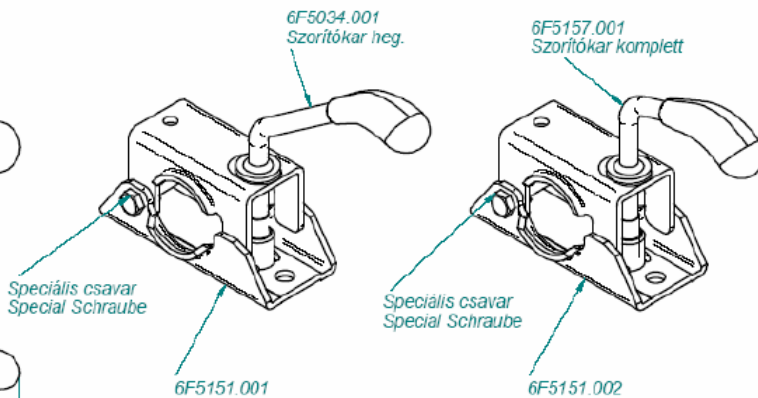
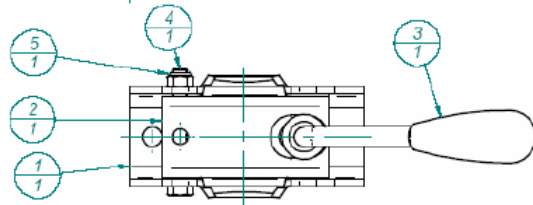
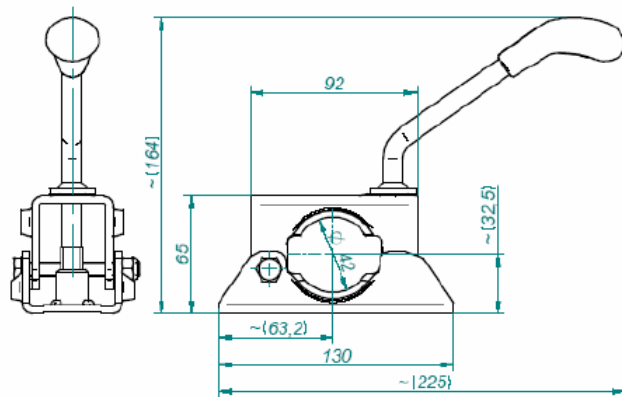
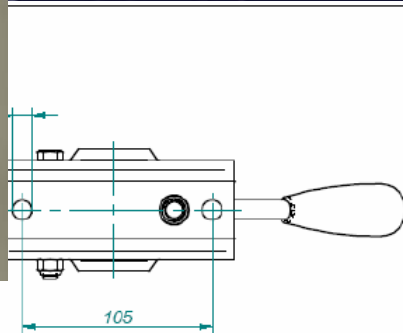


B42P3

KNOTT-AVONRIDE Limited



KNOTT-AVONRIDE LIMITED