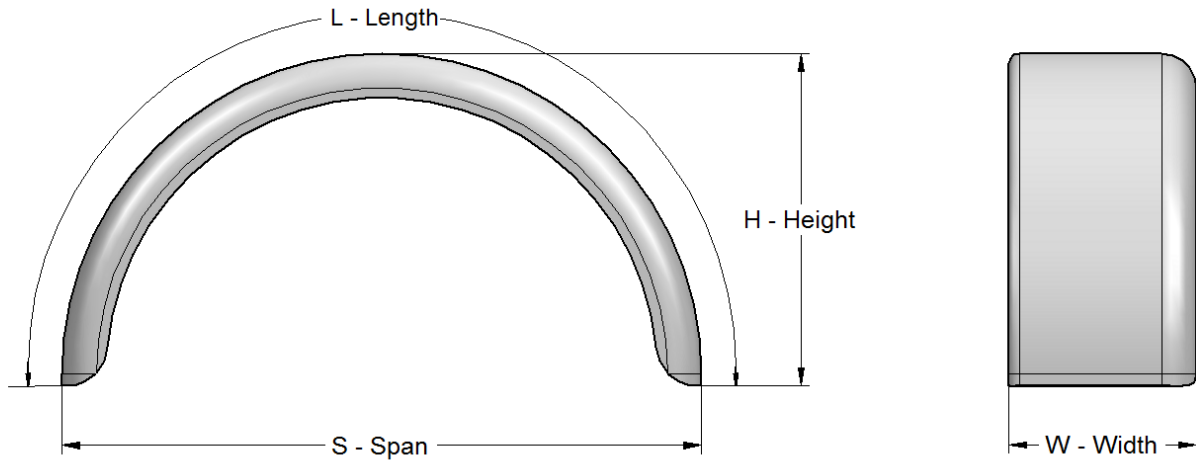




# Mudguards—Single & Tandem



## Single Axle—Steel / Round

Tyre Size	Profile	Width 'W'	Length 'L'	Span 'S'	Height 'H'	Part Number
10/12"	40/40	195	1060	680	345	530223.001
12"	40/40	200	1065	660	345	402252.001
13"	40/40	220	1210	750	390	402505.001
13"	40/40	220	1210	750	390	4803419X
14"	40/40	240	1285	800	415	401532.001
16"	40/40	270	1160	1000	545	400353.001

## Single Axle—Steel / Angular

Tyre Size	Profile	Width 'W'	Length 'L'	Span 'S'	Height 'H'	Part Number
8"	12/40	150	800	550	250	530204.001
10"	12/40	160	900	600	280	530203.001
10"	12/40	190	1060	660	310	403455.001
12/13"	12/40	220	1150	750	350	402510.001
13"	12/40	220	1200	800	370	400349.001
13"	12/40	240	1240	800	370	402511.001
14"	12/40	240	1300	860	395	401851.001



- ✓ Available for single & tandem wheel applications
- ✓ Galvanised Steel or Polymer options
- ✓ Vast range to suit majority of trailer wheel sizes
- ✓ Variable mounting profiles
- ✓ Separate mounting brackets available
- ✓ Half mudguard / wheel flap available

Profile 40/40

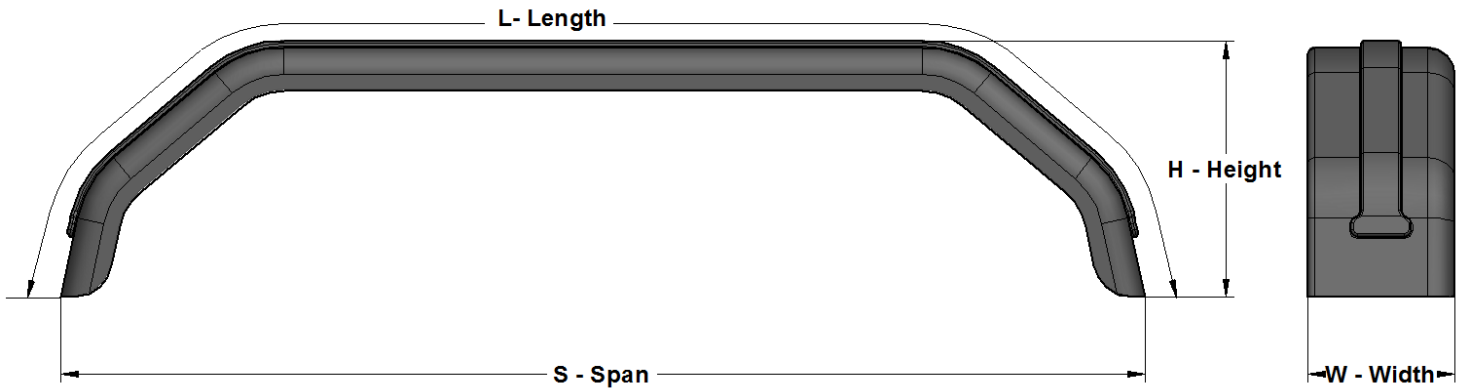


Profile 12/40





# Mudguards—Single & Tandem



## Tandem Axle—Steel / Round or Angular

Tyre Size	Profile	Width 'W'	Length 'L'	Span 'S'	Height 'H'	Part Number
10"	12/40	200	1610	1250	300	530193.001
12/13"	12/40	220	1800	1400	350	530194.001
13"	12/40	220	2040	1550	375	400344.001
13"	12/40	220	2040	1550	390	401989.001
13"	12/40	230	1980	1520	400	402499.001
14"	12/40	230	2050	1580	400	407331.001
14"	12/40	240	2000	1500	410	400346.001
14"	12/40	240	2200	1700	445	400356.001

## Polymer Single / Tandem Mudguards

Tyre Size	Profile	Width 'W'	Length 'L'	Span 'S'	Height 'H'	Part Number
8"	12/40	120	770	520	230	404449.001
10"	12/40	180	1040	660	330	404450.001
12"	12/40	200	1040	660	330	404451.001
13"	12/40	220	1120	750	330	404452.001
13"	12/40	220	1200	750	390	400340.001
14" *	12/40	260	1300	800	415	400342.001
14"	12/40	220	1300	800	415	400341.001
14"	12/40	240	1300	800	415	4804279X
14" **	12/20	220	-	1550	380	4804299X

\* Low Profile

\*\* Tandem



Other sizes available on request!