

## Data for Rubber Compression Axle

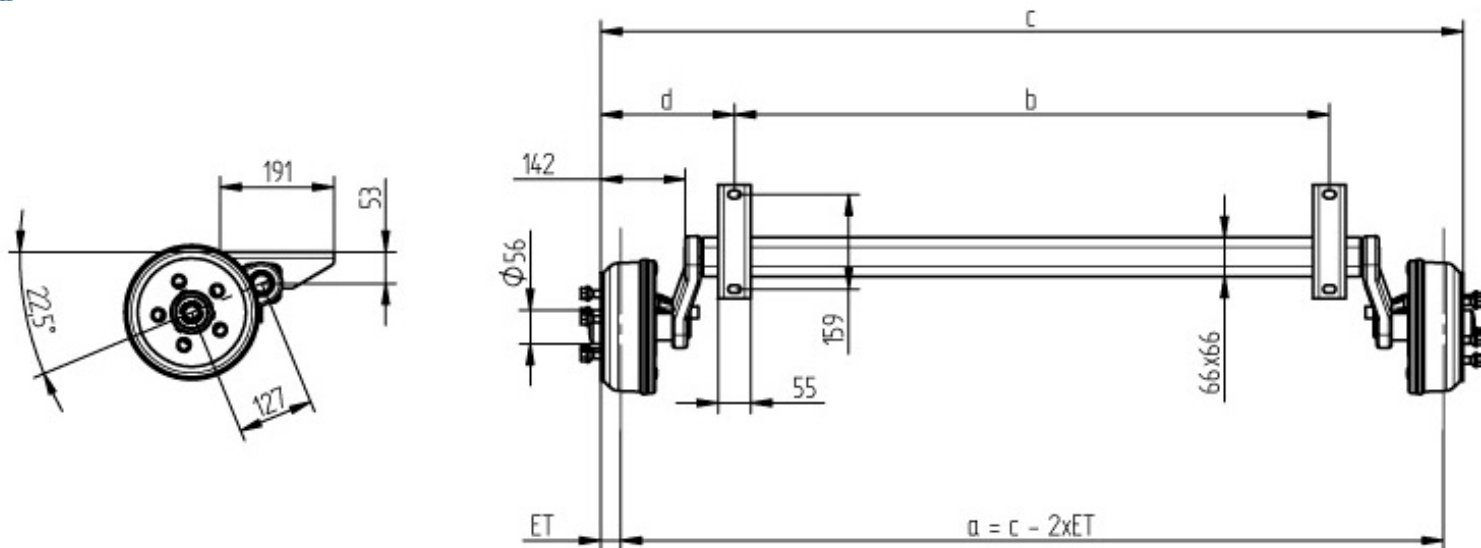
Axle Beam	Galvanised
Speed (where limits allow)	87 mph (140 kmph)
Permissible Axle Load	750kg

Type	Capacity (kg)	b	c	d ①	ET ②	PCD ③	Weight (kg)	Part Number
QB07Z	750	1000	1450	225	25 – 35	4/100 4/101.6	31	C63320.001 C63321.001
		1100	1550	225	25 – 35	4/100 4/101.6	32	C63320.002 C63321.002
		1200	1650	225	25 – 35	4/100 4/101.6	32	C63320.003 C63321.003
		1300	1750	225	25 – 35	4/100 4/101.6	33	C63320.004 C63321.004
		1400	1850	225	25 – 35	4/100 4/101.6	34	C63320.005 C63321.005
		1500	1950	225	25 – 35	4/100 4/101.6	35	C63320.006 C63321.006

① "d" minimum = 175mm

② Offset zero also available

③ Other fixing patterns available



## Data for Rubber Compression Axle

Permissible Axle Load 1000kg—1500kg

Axle Beam Galvanised

Brake Type 20-2425/1

Speed (where limits allow) 87 mph (140 kmph)

Type of Brake 200x50

Type	Capacity (kg)	b	c	d ①	ET ②	PCD ③	Weight (kg)	Part Number
QB10C	1000	1000	1450	225	25 – 35	4/100 5/112	47	C68366.001 C68367.001
		1100	1550	225	25 – 35	4/100 5/112	48	C68366.002 C68367.002
		1200	1650	225	25 – 35	4/100 5/112	49	C68366.002 C68367.002
		1300	1750	225	25 – 35	4/100 5/112	50	C68366.003 C68367.003
		1400	1850	225	25 – 35	4/100 5/112	50	C68366.004 C68367.004
		1500	1950	225	25 – 35	4/100 5/112	51	C68366.005 C68367.005
		1600	2050	225	25 – 35	4/100 5/112	52	C68366.006 C68367.006
		1700	2150	225	25 – 35	4/100 5/112	52	C68366.007 C68367.007
		1800	2250	225	25 – 35	4/100 5/112	53	C68366.008 C68367.008
		1900	2350	225	25 – 35	4/100 5/112	54	C68366.009 C68367.009

① "d" minimum = 175mm

② Offset zero also available

③ Other fixing patterns available



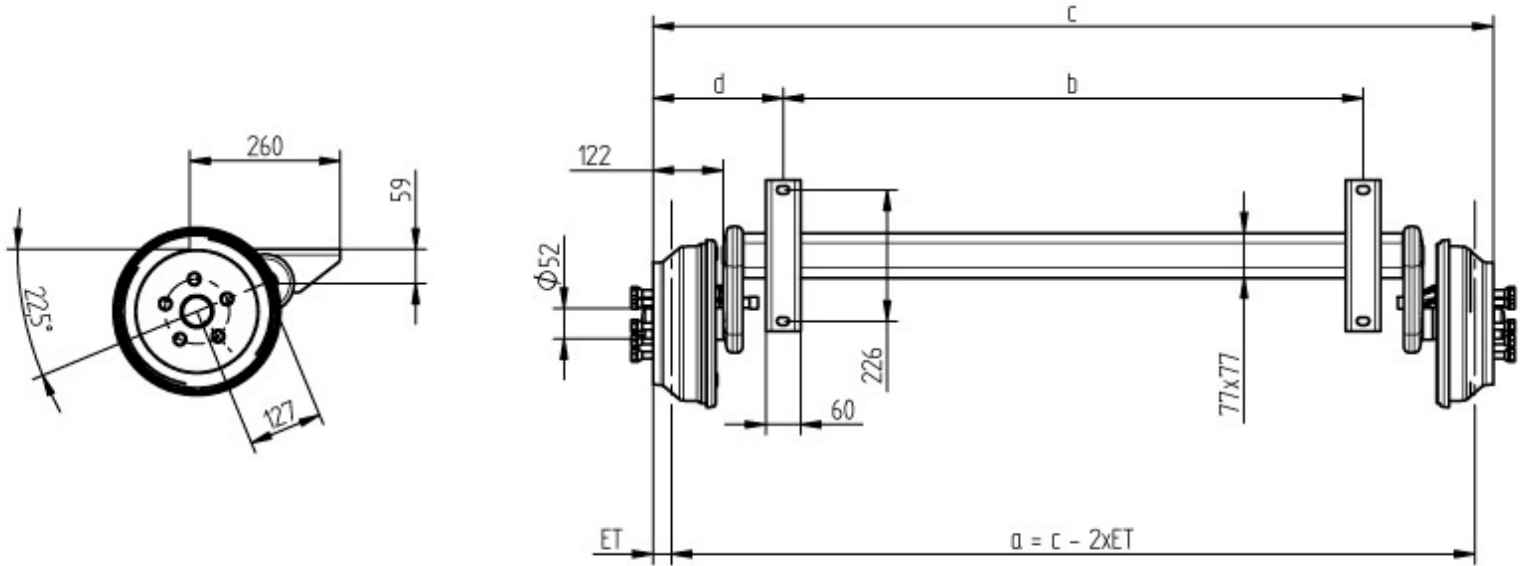
Type	Capacity (kg)	b	c	d ①	ET ②	PCD ③	Weight (kg)	Part Number
QB13C	1350	1000	1450	225	25 – 35	4/100 5/112	52	C68321.001 C68348.002
		1100	1550	225	25 – 35	4/100 5/112	53	C68321.003 C68348.004
		1200	1650	225	25 – 35	4/100 5/112	54	C68321.005 C68348.006
		1300	1750	225	25 – 35	4/100 5/112	55	C68321.007 C68348.008
		1400	1850	225	25 – 35	4/100 5/112	56	C68321.009 C68348.010
		1500	1950	225	25 – 35	4/100 5/112	57	C68321.011 C68348.012
		1600	2050	225	25 – 35	4/100 5/112	58	C68321.013 C68348.014
		1700	2150	225	25 – 35	4/100 5/112	59	C68321.015 C68348.016
		1800	2250	225	25 – 35	4/100 5/112	60	C68321.017 C68348.018
		1900	2350	225	25 – 35	4/100 5/112	61	C68321.019 C68348.020

Type	Capacity (kg)	b	c	d ①	ET ②	PCD ③	Weight (kg)	Part Number
QB15C	1500	1000	1450	225	25 – 35	4/100 5/112	55	C68321.002 C68348.003
		1100	1550	225	25 – 35	4/100 5/112	56	C68321.004 C68348.005
		1200	1650	225	25 – 35	4/100 5/112	57	C68321.006 C68348.007
		1300	1750	225	25 – 35	4/100 5/112	58	C68321.008 C68348.009
		1400	1850	225	25 – 35	4/100 5/112	59	C68321.010 C68348.011
		1500	1950	225	25 – 35	4/100 5/112	60	C68321.012 C68348.013
		1600	2050	225	25 – 35	4/100 5/112	61	C68321.014 C68348.015
		1700	2150	225	25 – 35	4/100 5/112	62	C68321.016 C68348.017
		1800	2250	225	25 – 35	4/100 5/112	63	C68321.018 C68348.019
		1900	2350	225	25 – 35	4/100 5/112	64	C68321.020 C68348.021

① "d" minimum = 175mm

② Offset zero also available

③ Other fixing patterns available



## Data for Rubber Compression Axle

Permissible Axle Load	1800kg
Axle Beam	Galvanised
Brake Type	25-2025
Speed (where limits allow)	87 mph (140 kmph)
Type of Brake	250x40

Type	Capacity (kg)	b	c	d ①	ET ②	PCD ③	Weight (kg)	Part Number
QC18D	1800	1000	1450	225	25 – 35	5/112 5/165	78	C69310.003 C69324.001
		1100	1550	225	25 – 35	5/112 5/165	79	C69310.004 C69324.002
		1200	1650	225	25 – 35	5/112 5/165	80	C69310.005 C69324.003
		1300	1750	225	25 – 35	5/112 5/165	81	C69310.006 C69324.004
		1400	1850	225	25 – 35	5/112 5/165	82	C69310.007 C69324.005
		1500	1950	225	25 – 35	5/112 5/165	83	C69310.008 C69324.006
		1600	2050	225	25 – 35	5/112 5/165	84	C69310.009 C69324.007
		1700	2150	225	25 – 35	5/112 5/165	85	C69310.010 C69324.008
		1800	2250	225	25 – 35	5/112 5/165	86	C69310.011 C69324.009
		1900	2350	225	25 – 35	5/112 5/165	87	C69310.012 C69324.010

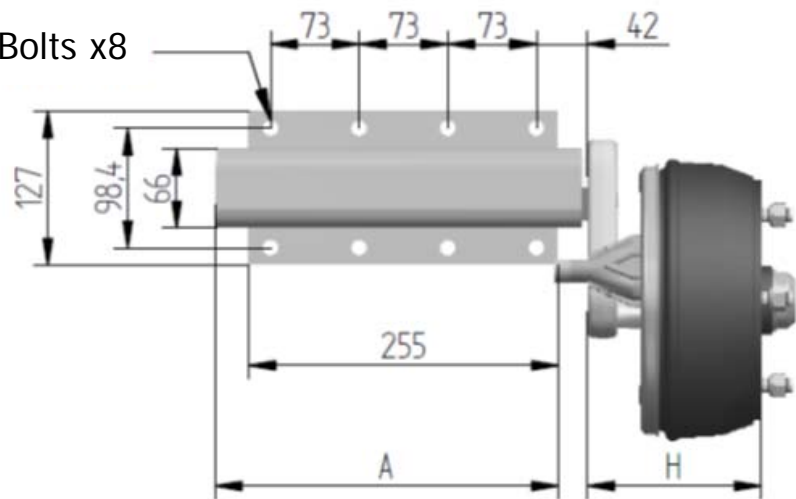
① "d" minimum = 175mm

② Offset zero also available

③ Other fixing patterns available



Holes for M12 Bolts x8



**Fixing plate pattern for  
750kg to 1550kg Units**

Capacity (kg)	Brake Size	A (mm)	H (mm)	PCD ①	Hub Family	Part Number	Comments
1100	200x50	287	148	4/100	A	C75306.001	L/H
				4/100	A	C75306.002	R/H
				4/139.7	A	C75308.001	L/H
				4/139.7	A	C75308.002	R/H
				5/152.4	A	C75309.001	L/H
				5/152.4	A	C75309.002	R/H
1300	200x50	350	148	4/100	A	C75310.001	L/H
				4/100	A	C75310.002	R/H
				4/139.7	A	C75311.001	L/H
				4/139.7	A	C75311.002	R/H
				5/152.4	A	C75313.001	L/H
				5/152.4	A	C75313.002	R/H
				5/165.1	A	C75314.001	L/H
				5/165.1	A	C75314.002	R/H
1500	200x50	465	148	4/139.7	A	C75315.001	L/H
				4/139.7	A	C75315.002	R/H
				5/152.4	A	C73616.001	L/H
				5/152.4	A	C73616.002	R/H
				5/165.1	A	C73617.001	L/H
				5/165.1	A	C73617.002	R/H
1550	250x40	465	138	4/139.7	T	C78500.001	L/H
				4/139.7	T	C78500.002	R/H
				5/140	T	C78501.001	L/H
				5/140	T	C78501.002	R/H
				5/140	V	C78601.001	L/H
				5/140	V	C78601.002	R/H
				5/165.1	T	C78502.001	L/H
				5/165.1	T	C78502.002	R/H
				5/165.1	V	C78602.001	L/H
				5/165.1	V	C78602.002	R/H

① Other fixing patterns are available



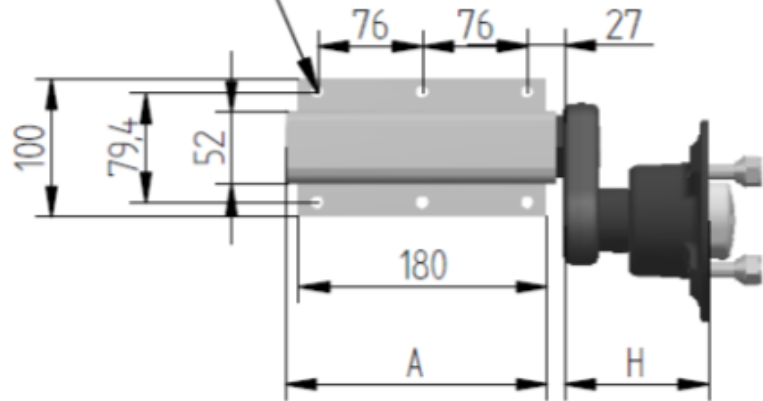
**Matching fixing plates also available!**

C10939—180x100mm (6 x M8 Holes)

C10940—255x127mm (8 x M12 Holes)



Holes for M8 Bolts x6



## Fixing plate pattern for 350kg to 550kg Units

Capacity (kg)	Brake Size	A (mm)	H (mm)	PCD ①	Hub Family	Part Number	Comments
350	Unbraked	176	86	4/101.6	N	C77101.001	L/H
		176	86	4/101.6	N	C77101.002	R/H
		176	110	4/101.6	N	C77101.003	L/H
		176	110	4/101.6	N	C77101.004	R/H
		176	122	4/101.6	N	C77101.005	L/H
		176	122	4/101.6	N	C77101.006	R/H
550	Unbraked	176	86	4/101.6	N	C77104.001	L/H
	Unbraked	176	86	4/101.6	N	C77104.002	R/H
	Unbraked	176	110	4/101.6	N	C77104.003	L/H
	Unbraked	176	110	4/101.6	N	C77104.004	R/H
	Unbraked	176	122	4/101.6	N	C77104.005	L/H
	Unbraked	176	122	4/101.6	N	C77104.006	R/H
	160x35	176	132	4/101.6	C	C76301.001	L/H
	160x35	176	132	4/101.6	C	C76301.002	R/H
	160x35	176	132	4/100	C	C76300.001	L/H
	160x35	176	132	4/100	C	C76300.002	R/H
750	Unbraked	287	86	4/101.6	N	C77107.001	L/H
	Unbraked	287	86	4/101.6	N	C77107.002	R/H
	Unbraked	287	110	4/101.6	N	C77107.003	L/H
	Unbraked	287	110	4/101.6	N	C77107.004	R/H
	Unbraked	287	122	4/101.6	N	C77107.005	L/H
	Unbraked	287	122	4/101.6	N	C77107.006	R/H
	Unbraked	287	117	4/100	P	C78003.001	L/H
	Unbraked	287	117	4/100	P	C78003.002	R/H
	Unbraked	287	117	4/139.7	P	C78004.001	L/H
	Unbraked	287	117	4/139.7	P	C78004.002	R/H
	160x35	287	132	4/101.6	C	C76304.001	L/H
	160x35	287	132	4/101.6	C	C76304.002	R/H
	160x35	287	132	4/100	C	C76302.001	L/H
	160x35	287	132	4/100	C	C76302.002	R/H

① Other fixing patterns are available



**Matching fixing plates also available!**

C10939—180x100mm (6 x M8 Holes)

C10940—255x127mm (8 x M12 Holes)