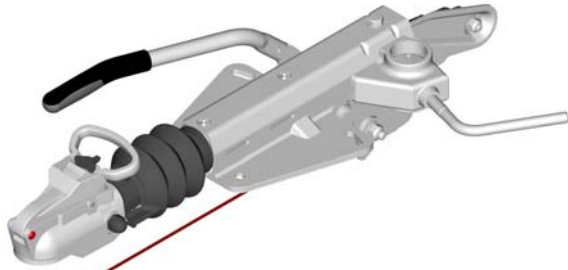




## Pressed Steel Delta



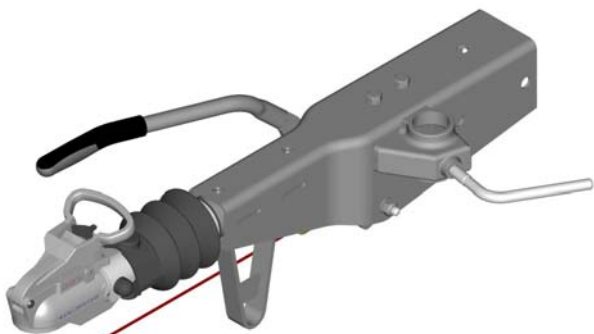
Type	Capacity (kg)	Part Number*	Centres (mm)
KF7,5	375 - 750	KPB7AOD	110/120
KF13	750 - 1300	KPB13AOD	110/120
KF17	1100 - 1700	KPB17AOD	110/120
KF20	1100 - 2000	KPB20AOD	110/120
KF27	1400 - 2700	KPB27AO110/120D	110/120
KFGL35	2700 - 3500	204509.002	120/140

## Cast Delta



Type	Capacity (kg)	Part Number*	Centres (mm)
KFG13	750 - 1300	KCB13AOD	100
KFG13	750 - 1300	KCB13AO120D	120
KFG20	1100 - 2000	KCB20AOD	100
KFG20	1100 - 2000	KCB20AO120D	120
KFG27	1400 - 2700	KCB27AOD	100
KFG27	1400 - 2700	KCB27AO120D	120
KFG30	1600 - 3000	KCB30AOD	100
KFG30	1600 - 3000	KCB30AO120D	120
KFG35	2700 - 3500	KCB35AOD	120

## Pressed Steel Square Tube



Type	Capacity (kg)	Part Number*	Size
KRV7,5	375 - 750	KSB7AO6D	□ 60
KRV7,5	375 - 750	KSB7AO7D	□ 70
KRV13	750 - 1300	KSB13AO6D	□ 60
KRV13	750 - 1300	KSB13AO7D	□ 70
KRV17	1100 - 1700	KSB17AO7D	□ 70
KRV20	1100 - 2000	KSB20AO8D	□ 80
KRV20	1100 - 2000	KSB20AO10D	□ 100
KRV30	1600 - 3000	KSB30AO8D	□ 80
KRV30	1600 - 3000	KSB30AO10D	□ 100
KRV35	2700 - 3500	501084.007	□ 120

\* Fitted with Avonride Cast Locking Head



All of these couplings can alternatively be supplied & fitted with:-

- ✓ Knott 50mm Pressed Steel Head (to 2T)
- ✓ Knott 50mm Head (Cast Lockable to 3,5T)
- ✓ Albe Berndes 50mm Head (Cast to 3,5T)
- ✓ 30mm UK BS EYE
- ✓ 40mm UK BS EYE
- ✓ 50.8mm UK BS EYE
- ✓ 76mm NATO EYE

And to special order for export trailers Ø68 French & Ø40 DIN Eyes.





# Coupling Heads & Eyes

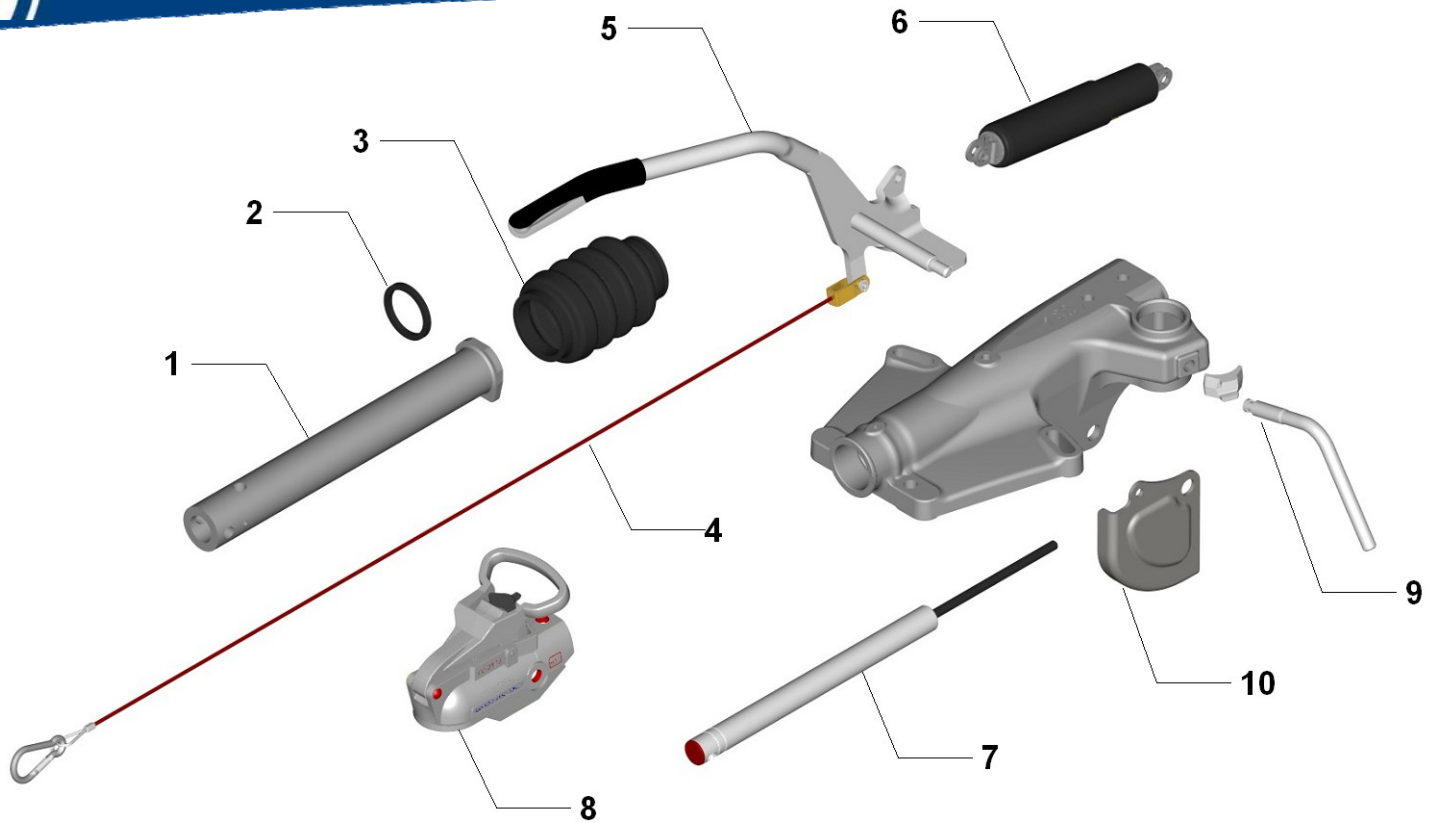
Type	Fitting	Part Number	Applications
 50mm Avonride Cast Head (Kit)	Ø 45, M12/M12	575003	KF7,5 - 20, KFG13 - 20 & KRV7 - 20
	Ø 50, M12/M12	575003	KF27A & KFG27
	Ø 50, M12/M14	575005	KFG30 & KRV30
	Ø 50, M14/M14	575008	KF27B, KFG30 & KRV30
	Ø 60, M14/M14	575004	KFG35, KFGL35 & KRV35
 50mm Knott Pressed Head (Kit - Braked Only)	□ 50 2xM12 Vertical	KQ7KVL	750kg Unbraked
	□ 60 2xM12 Vertical	KQ7LVL	750kg Unbraked
	□ 50 4xM12 Vert/Horiz	KQ14AVN2L	1400kg Unbraked
	□ 60 4 x M12 Vert/Horiz	KQ14BHN2L	1400kg Unbraked
	Ø 45 2xM12 Cross Holes	575001	KF7,5 - 13, KRV7 - 13 & KFG13
 50mm Knott Cast Head (Kit)	Ø 50, M12/M12	575023	KF27A & KFG27
	Ø 50, M14/M14	575021	KF27B, KFG30 & KRV30
 30mm UK Eye (Kit)	Ø 50, M12/M12	575030.001	KF7,5 - 20, KFG13 - 20 & KRV7 - 20
	Ø 50, M12/M12	575030.004	KF27A & KFG27
	Ø 50, M12/M14	575030.002	KFG30 & KRV30
	Ø 50, M14/M14	575030.005	KF27B, KFG30 & KRV30
	Ø 60, M14/M14	575030.003	KFG35, KFGL35 & KRV35
 40mm UK Eye (Kit)	Ø 45, M12/M12	575040.001	KF7,5 - 20, KFG13 - 20 & KRV7 - 20
	Ø 50, M12/M12	575040.004	KF27A & KFG27
	Ø 50, M12/M14	575040.002	KFG30 & KRV30
	Ø 50, M14/M14	575040.005	KF27B, KFG30 & KRV30
	Ø 60, M14/M14	575040.003	KFG35, KFGL35 & KRV35
 50.8mm UK Eye (Kit)	Ø 45, M12/M12	575050.001	KF7,5 - 20, KFG13 - 20 & KRV7 - 20
	Ø 50, M12/M12	575050.004	KF27A & KFG27
	Ø 50, M12/M14	575050.002	KFG30 & KRV30
	Ø 50, M14/M14	575050.005	KF27B, KFG30 & KRV30
	Ø 60, M14/M14	575050.003	KFG35, KFGL35 & KRV35
 NATO Eye (Kit)	Ø 45, M12/M12	506005	KF7,5 - 20, KFG13 - 20 & KRV7 - 20
	Ø 50, M12/M12	506006	KF27A & KFG27
	Ø 50, M12/M14	506007	KFG30 & KRV30
	Ø 50, M14/M14	506014	KF27B, KFG30 & KRV30
	Ø 60, M14/M14	506008	KFG35, KFGL35 & KRV35



- ✓ 68mm "French" & 40mm DIN eyes available.
- ✓ Kits comprise of Head or Eye, Bolts, Nuts, Shaped Washer(s) & Black Cap(s). See also "Bellows" on separate sheet.

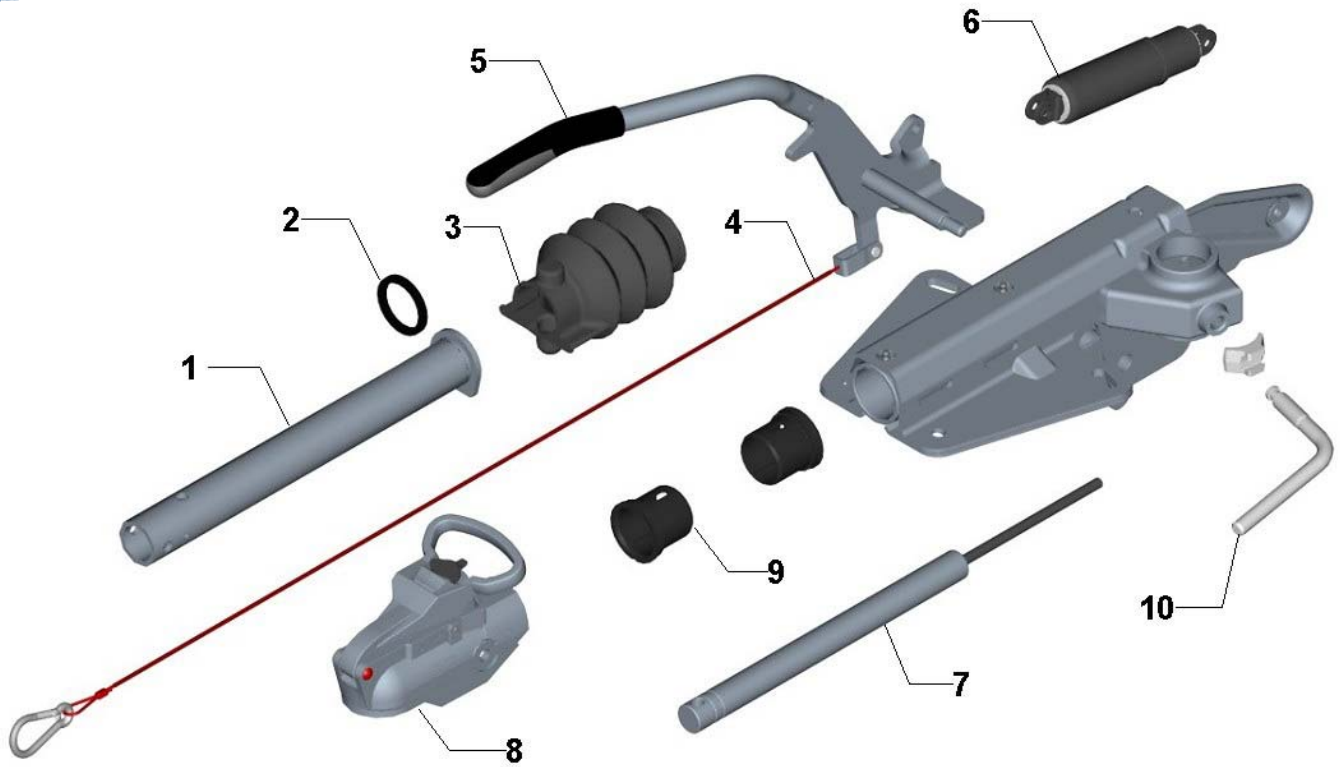
✓ □ For unbraked drawbars, unbraked trailers O<sub>1</sub>. Classification limited to 750kg gross mass.

✓ Secondary coupling is available for use with unbraked drawbars - Part No 577007.



Description	To Suit	Part Number
① Drawtube	KFG13-20	9810309402
	KFG27-30 (Ø14)	202041.002
	KFG27 (Ø12)	9810389402
	KFG30 (Ø12 & Ø14)	9885759302
	KFG35	9870004402 (cross bolts)
	KFG35	203146.002 (2x horizontal bolts)
② Stopping	KFG13 - KFG30*	69001494
	KFG13 - KFG20**	206596.001 Ø45
	KFG27 - KFG30**	206596.002 Ø50
	KFG35*	69004394
	KFG35**	206596.003
③ Bellows	KFG13 - KFG30	577002 (eye)
	KFG13 - KFG30	577004 (head)
	KFG35	577005 (head)
	KFG35	577006 (eye)
④ Breakaway Cable		577001 **
		577012 *
⑤ Handbrake Assembly		6J1309.001 *
		6J1389.001 **

Description	To Suit	Part Number
⑥ Handbrake Energy Store	KFG13-20	202453.001 **
	KFG13-20	98702594 *
	KFG27-30	202453.001 **
	KFG27-30	98702694 *
	KFG35	202453.001 **
	KFG35	98702694 *
⑦ Damper	KFG13	576000
	KFG20	576001
	KFG27 (Ø12)	576002
	KFG27 (Ø14)	576005
	KFG30 (Ø12)	576006 *
⑧ Head / Eye	KFG30 (Ø14)	576007 **
	KFG35	576003
	See Page 2	
⑨ Jockey Handle & Pad		577000 (short 100x130mm)
		577011 (long 150x130mm)
⑩ Skid		206593.001

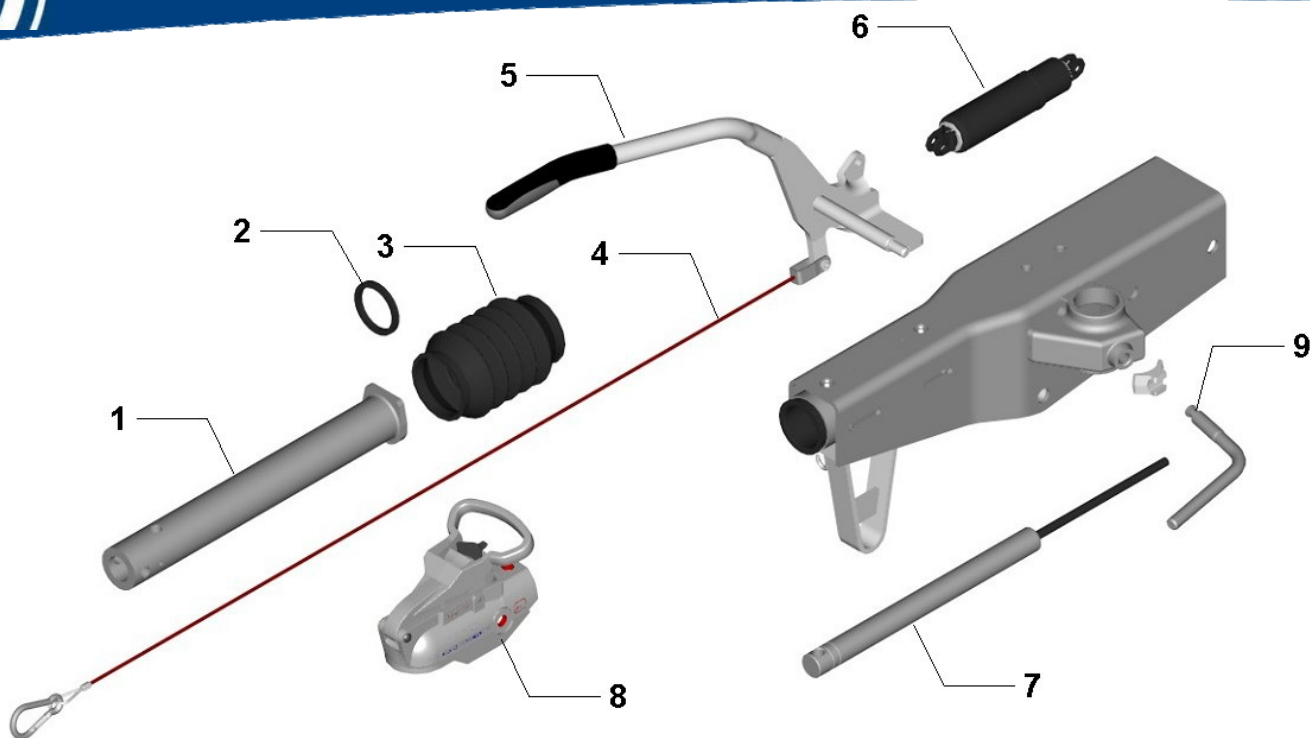


Description	To Suit	Part Number
① Drawtube	KF7-20	9810309402
	KF27 (Ø12)	9810389402
	KF27 (Ø14)	202041.002
	KFGL35	203146.002
② Stopping	KF7,5 – 27*	69001494
	KF7,5 - 20**	206596.001 Ø45
	KFGL35*	69004394
	KFGL35**	206596.003
③ Bellows	KF7,5 - 27	577002
	KFGL35	577006
④ Breakaway Cable	KF7,5 – 27 & KFGL35	577001 **
		577012 *
⑤ Handbrake Assembly	KF7,5 - 20	6J1309.001 *
	KF7,5 - 20	6J1349.001 **
	KF27	6J1309.001 *
	KF27	6J1595.003 **
	KFGL35	204098.001

Description	To Suit	Part Number
⑥ Handbrake Energy Store	KF7-20	201856.001 **
	KF7-20	98702594 *
	KF27	201856.001 **
	KF27	98702694 *
	KFGL35	990029.02
⑦ Damper	KF7,5	576004
	KF13	576000
	KF20	576001
	KF27 (Ø12)	576002 *
⑧ Head / Eye	KF27 (Ø14)	576005 **
	KFGL35	576003
	See Page 2	
⑨ Clip in Bush (Started Mid '09)	KF7-20 (Ø45mm)	577009
	KF27 (Ø50mm)	577010
⑩ Jockey Handle & Pad		577000 (short 100x130mm)
		577011 (long 150x130mm)
		577015 (XL 200x130mm)

\* Old

\*\* Current (as shown)



Description	To Suit	Part Number
① Drawtube	KRV7,5 - 20 KRV30 (Ø12 & Ø14) KRV30 (2 x Ø14) KRV35	9810309402 9885759302 202041.002 203146.002
② Stopping	KRV7,5 - 30* KRV7,5 - 20** KRV30** KRV35* KRV35**	69001494 206596.001 Ø45 206596.002 Ø50 69004394 206596.003 Ø60
③ Bellows	KRV7,5 - 30 KRV35	577002 577006
④ Breakaway Cable	KRV7,5 - 30	577001 ** 577012 *
⑤ Handbrake Assembly	KRV7,5 - 20 (60, 70 & 80 Sq) KRV20 - 30 (100 Sq) KRV35	6J1595.001 ** 6J1339.001 * 6J1595.002 ** 6J1339.001 * 204149.001
⑥ Handbrake Energy Store	KRV7 - 20 KRV7 - 20 KRV30 KRV30 KRV35	201856.001 ** 98702594 * 202453.001 ** 98702694 * 202453.001
⑦ Damper	KRV7,5 KRV13 KRV20 KRV30 (Ø12) KRV30 (Ø14) KRV35	576004 576000 576001 576006 * 576007 ** 576003
⑧ Head / Eye	See Page 2	
⑨ Jockey Handle & Pad	All	577000 (short 100x130mm) 577011 (long 150x130mm) 577015 (XL 200x130mm)

\* Old

\*\* Current (as shown)



## Overrun Dampers



Range (kg)	Part Number (Marking)	Applications
375 – 750	576004 (87000309)	KRV7,5, KF7,5
750 – 1400	576000 (87000709)	KRV13, KFG13 & KF13
1100 – 2000	576001 (87001109)	KRV20, KFG20 & KF20
1400 - 2700	576002 (87003109)	KFG27 & KF27A with Ø12 Hole
1400 - 2700	576005 (8700310914)	KF27B with Ø14 Hole
1600 - 3000	576006 (87003909)	KRV30 & KFG30 with Ø12 Hole
1600 - 3000	576007 (87001409-K)	KRV30 & KFG30 with Ø14 Hole
2700 - 3500	576003 (87003609)	KFG35

## Drawtubes



Complete with stopring.

Fitting	Part Number	Applications
Ø45 M12/M12	9810309402	KF7,5-KF20, KRV7,5-KRV20, KFG13 & KFG20
Ø50 M12/M12	9810389402	KF27A & KFG27
Ø50 M12/M14	9885759302	KRV30 & KFG30
Ø50 M14/M14	202041.002	KF27B & KFG30
Ø60 M14/M14	9870004402	KFG35
Ø60 M14/M14	203146.002	KFG35 Horizontal Holes

## Bellows



Part Number	Applications
577002	KF7,5 - KF27 & KRV13 - KRV30
577003	KF7,5 - KF27 & KRV13 - KRV30
577004	KFG13 - KFG30
577005	KFG35 Heads Only
577006	KFG35 Eyes Only

## Handbrake Energy Store



To Suit Type	Part Number	Capacity (kg)
Spring Pack Energy Store (Metal Casing)	98702594	750 - 2000
Oil Damped Energy Store (Black Plastic Casing)	98702694	2700 - 3500
Oil Damped Energy Store (Black Plastic Casing)	201856.001	KF7,5-KF27, & KRV13-KRV20
Oil Damped Energy Store (Black Plastic Casing)	202453.001	KRV30-35, KFGL35 & All KFG

## Breakaway Cable



To Suit Type	Part Number
Current Oil Damped Energy Store	577001
Old Style Spring Pack	577012



New cable can be fitted in place of old. Please check for full travel of handbrake lever.