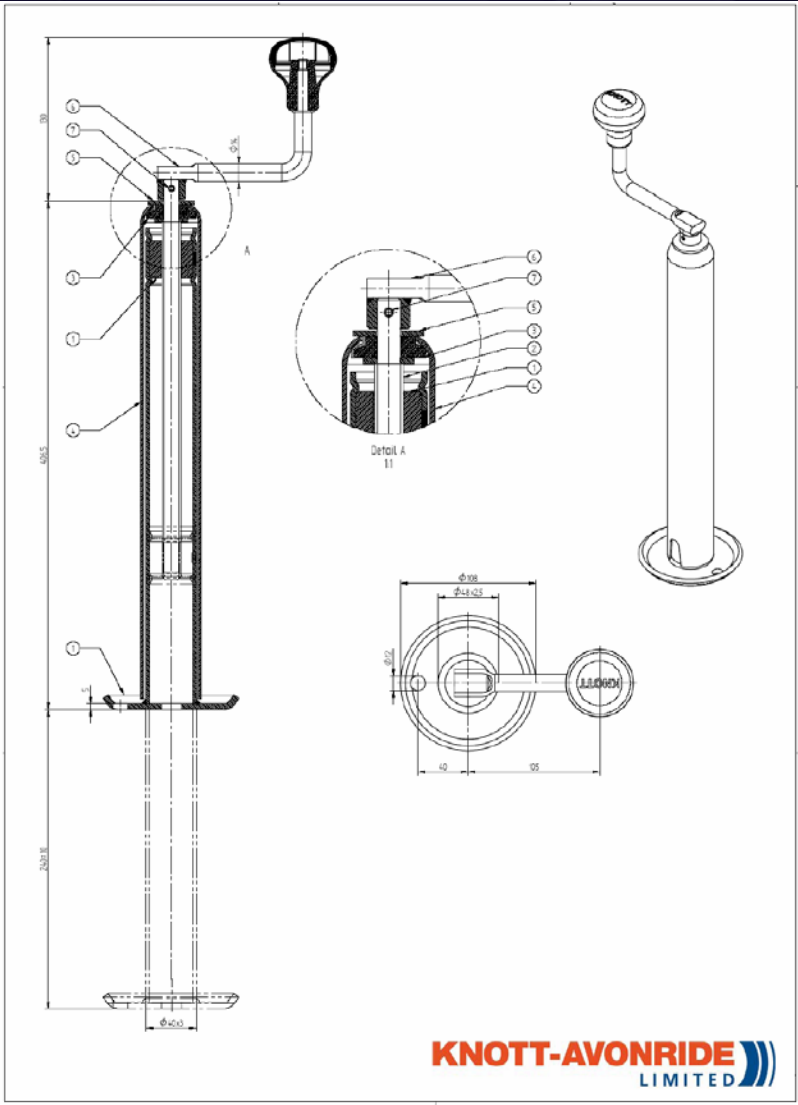


TP48

KNOTT-AVONRIDE Limited



KNOTT-AVONRIDE LIMITED