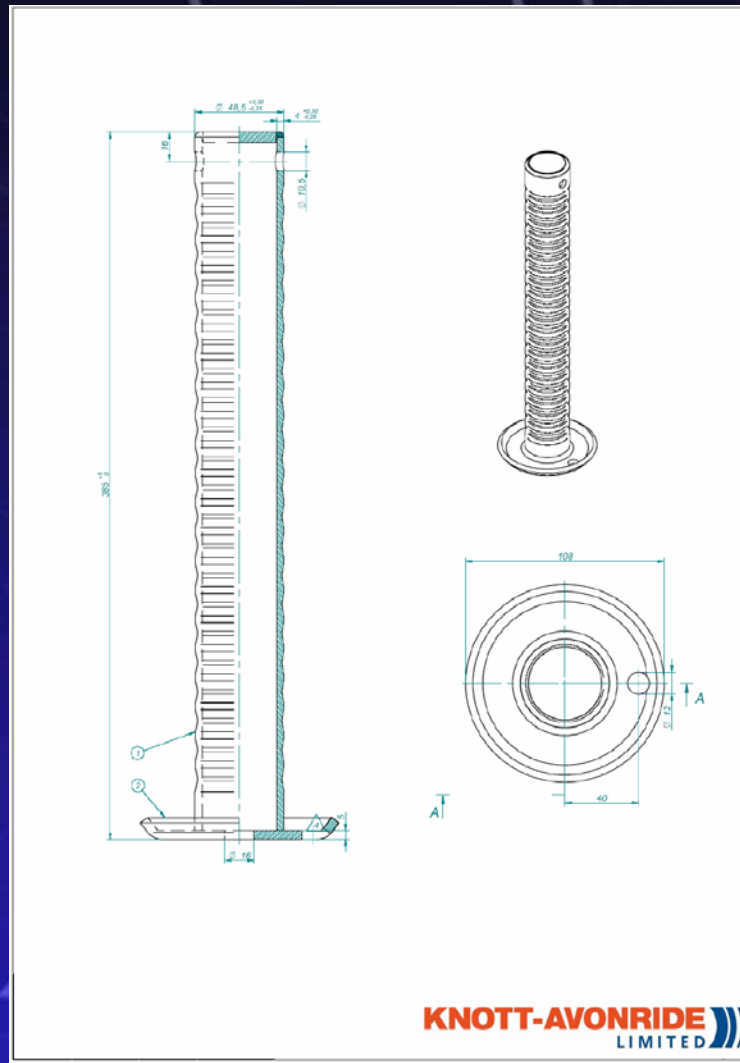


P48S385

KNOTT-AVONRIDE Limited



KNOTT-AVONRIDE LIMITED